



PRODUCT ASSEMBLY INSTRUCTIONS:



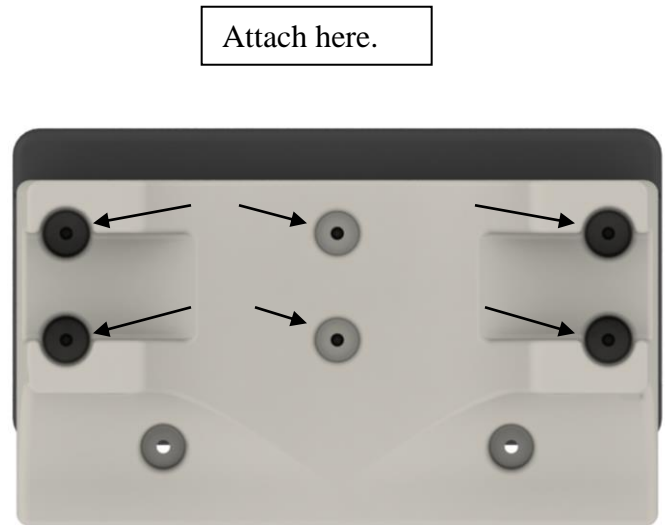
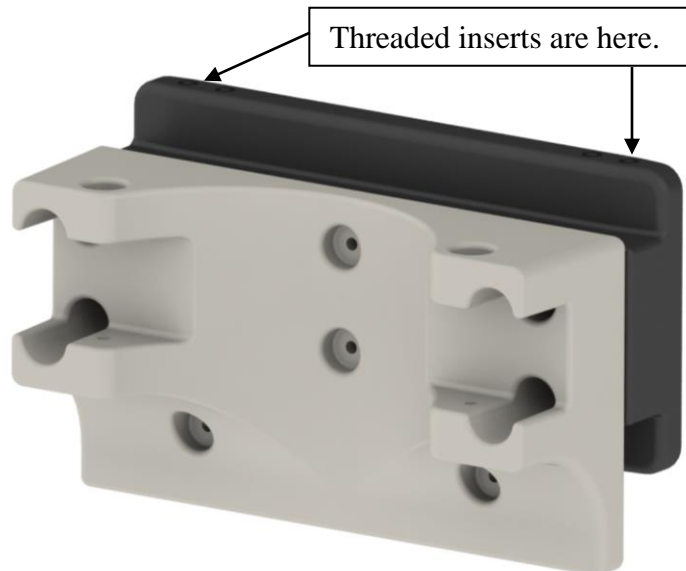
wavearmor.com

Item # | Product Name: #302211 & 302212, 8" or 10" Pylon Bracket to Wave Armor Dock

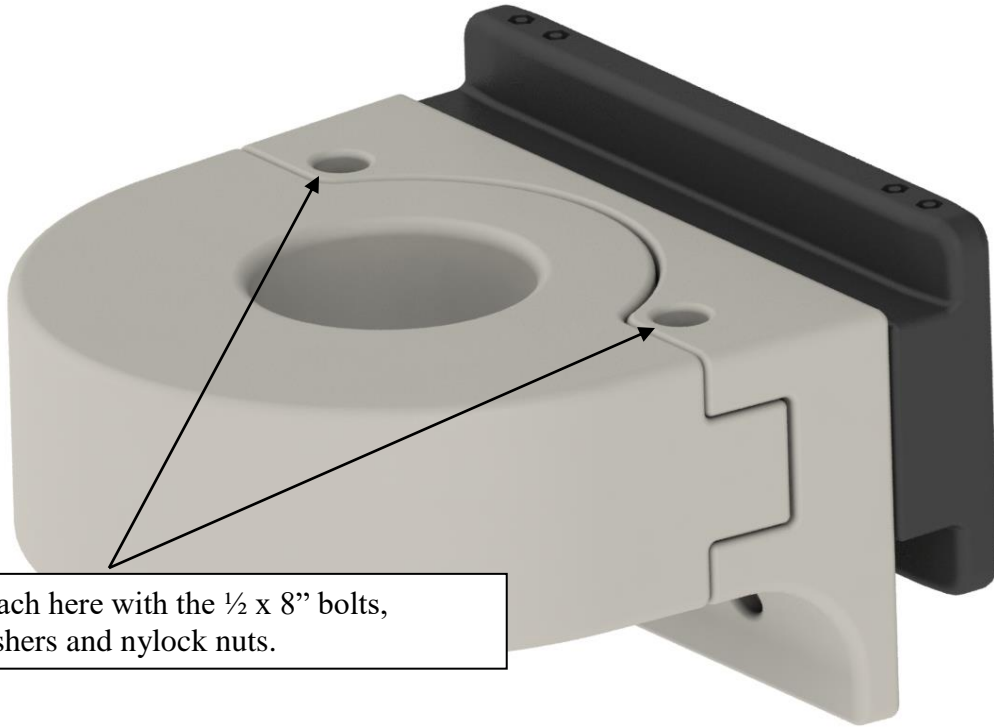
Parts List:	Tools Needed:
1. Plastic Pylon Inner Hoop qty 1	1. Ratchet and extension
2. Plastic Pylon Outer Hoop qty 1	2. 3/4" and 9/16" socket
3. Plastic 24" T-Plate qty 1	3. 3/4" wrench
4. 1/2" x 8" bolt qty 2, 1/2" nylock nut qty 2, large washer qty 4, hair pins are not needed for this application	4.
5. Hdwe bag: 3/8 x 2" bolt qty 8, 3/8" heavy washer qty 8, 3/8" split washer qty 8	5.
6.	6.
7.	7.

Assembly Instructions: 8" Pylon Bracket shown here, 10" assembly is the same

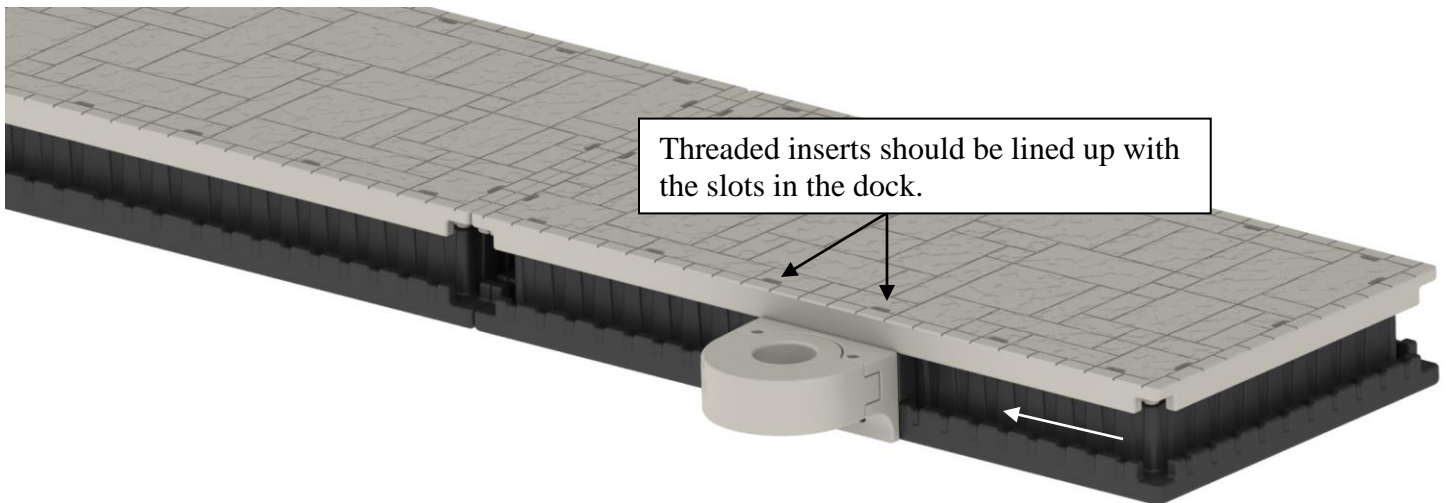
1. Attach the inner pylon hoop to the 24" t-plate in six locations using the 3/8 x 2" bolts, split washers, and heavy washers. Be sure the threaded inserts in the edge of the t-plate are facing upwards. Tighten bolts securely. The bottom two holes are not used.



2. Attach the outer pylon hoop to the t-plate and inner hoop assembly using the ½ x 8” bolts and washers.



3. Slide the completed pylon assembly into the channels on the dock and move to the proper position. The threaded inserts on the pylon assembly should line up with two of the slots in the dock. Secure with the 3/8 x 2” bolts, split washers, and heavy washers.



4. Install pylon to complete the installation.

