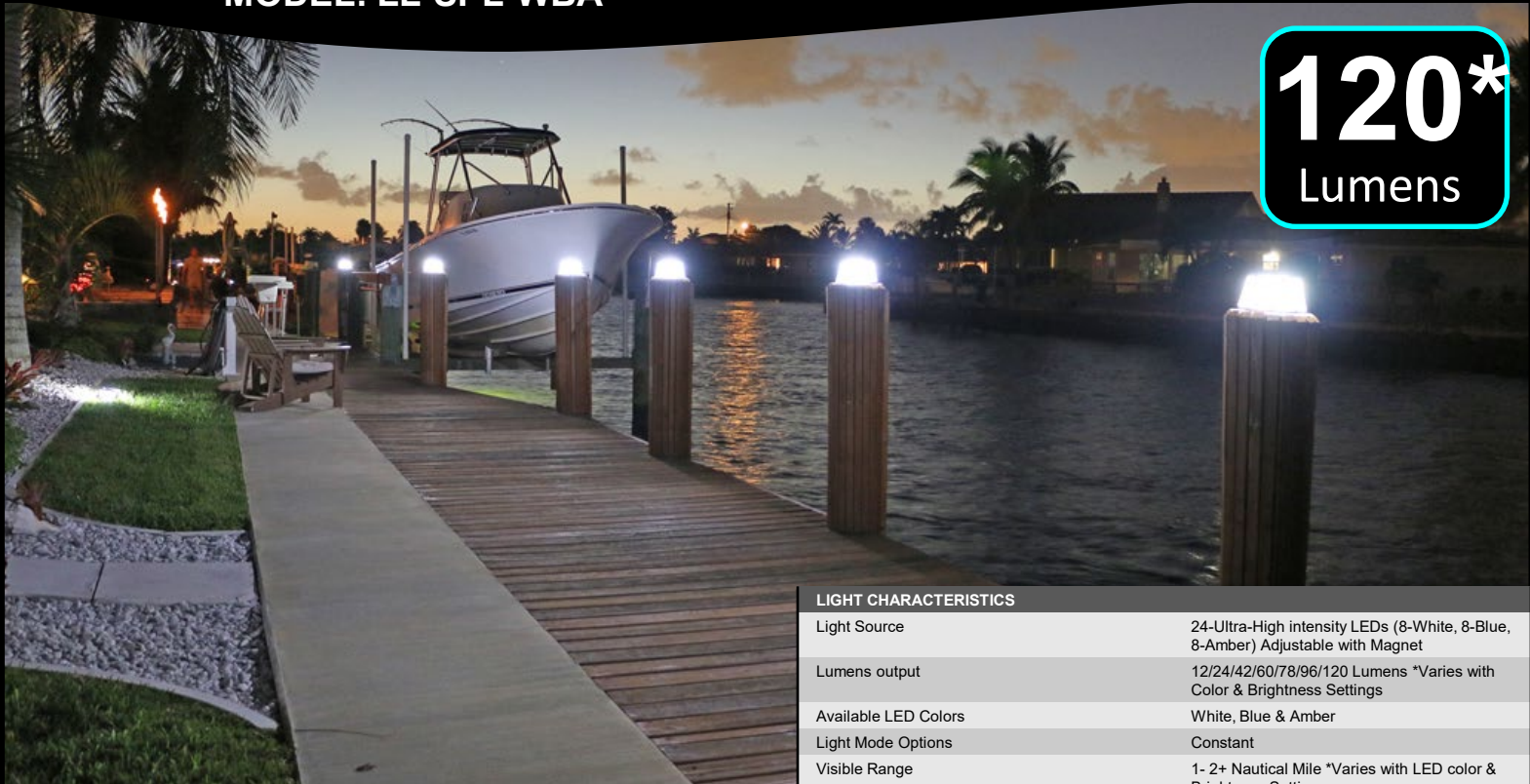


# SOLAR PILING LITE – 8”

MODEL: LL-SPL-WBA



**120\***  
Lumens



## SOLAR PILING LITES



### LIGHT CHARACTERISTICS

Light Source	24-Ultra-High intensity LEDs (8-White, 8-Blue, 8-Amber) Adjustable with Magnet
Lumens output	12/24/42/60/78/96/120 Lumens *Varies with Color & Brightness Settings
Available LED Colors	White, Blue & Amber
Light Mode Options	Constant
Visible Range	1- 2+ Nautical Mile *Varies with LED color & Brightness Settings
Horizontal Output (degrees)	360°
Vertical Divergence (degrees)	100-180° *Various with Mounting
LED Life Expectancy (hours)	> 100,000 hrs

### ELECTRICAL CHARACTERISTICS

Circuit Protection	Integrated
Nominal Voltage (v)	3.2v
Autonomy (hours)	16-20hrs *On full Charge * Varies With Brightness Settings & Conditions
Temperature Range	14-158° Fahrenheit

### SOLAR CHARACTERISTICS

Solar Module Type	Multicrystalline or Monocrystalline
Power (watts)	2.2 watts
Solar Module Efficiency (%)	16-17%

### POWER SUPPLY

Battery Type	High Capacity
Battery Size	LiFePo4
Battery Capacity (mAh)	3000mA
Nominal Voltage (v)	3.2v
Battery Service Life	1-3 years (Varies with local Environment)
Battery Service Access	Yes: User Changeable / Replaceable

### PHYSICAL CHARACTERISTICS

Body Material	ASA Composite
Lens Material	UV-Stabilized Polycarbonate
External Lens Design	Horizontal Lenticular
Internal Lens design	Vertical Lenticular
Waterproof Rating	IP 68
Mounting	Fits on Piling or flat surfaces 8” diameter and larger
Height	4-1/4”
Width / Diameter	8”
Weight	4 lbs

### OPTIONS

Custom Options, Sizes, & Colors	Please Contact
Custom Hardware & Mounting	Please Contact

\* Information subject to change without notice



Lake Lite Inc.  
100 Industrial Dr.  
Avilla, IN 46710

Phone: 260-918-2758  
E-mail: sales@lakelite.com  
Web: www.lakelite.com

# SOLAR PILING LITE – 8”



MODEL: LL-SPL-WBA



**Caution! When plugging battery connectors together, align notches before connecting both connectors. Failure to do so could result in permanent damage to the light.**

## Battery Information

### LiFePo4 Type Battery:

**Volts: 3.2v Cell Size: 18500 Capacity: 3000mA**

**DO NOT USE:** standard 1.2v NiMh or NiCd type Rechargeable batteries, or they will be damaged!



### BATTERY MAINTENANCE

**For prolonged storage when not using the product please follow these procedures.**

1. Charge Batteries inside product on sunny day
2. Before Nightfall open your light and FULLY Disconnect the battery from the product
3. Store Battery and Product in warm/dry location.
4. **Note:** Batteries can be damaged from sub-zero temperatures when not in use.



**CAUTION: PLEASE KEEP OUR ENVIRONMENT CLEAN! BATTERIES MUST BE RECYCLED OR DISPOSED OF PROPERLY.**

## Mounting Hardware Suggestions – Not Included

Mount Type	Hardware	Stainless Steel Recommended
No Through Hole	#14 OVAL HEAD Screws x Desired Length	
No Through Hole	5/16" Lag Bolts x Necessary Length with 5/16" Washers	
No Through Hole	3/8" Lag Bolts x necessary Length with 3/8" Washers	
Through Hole	5/16" Bolts X Necessary Length with 5/16" Washers & 5/16" Nuts	
Through Hole	3/8" Bolts X Necessary Length with 3/8" Washers & 3/8" Nuts	



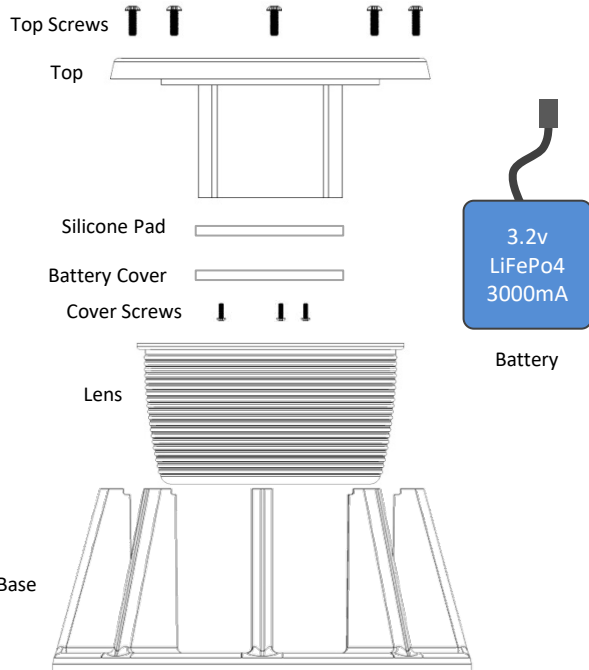
Lake Lite Inc.  
100 Industrial Dr.  
Avilla, IN 46710

Phone: 260-918-2758  
E-mail: sales@lakelite.com  
Web: www.lakelite.com

# SOLAR PILING LITE – 8”

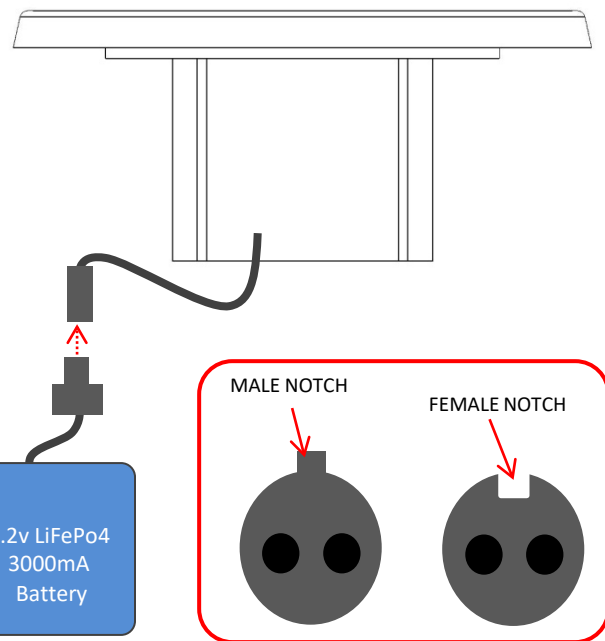


MODEL: LL-SPL-WBA



1

Use the provided wrench to separate your light: The battery is not connected when shipped.



2

Connect Battery: Caution! When plugging battery connectors together, align notches before joining both connectors. Forcing or connecting backwards will damage the light.

## Power Setting \* Run Times

Power Setting	* Run Times
100%	6-8 hrs
80%	7-9 hrs
65%	10-12 hrs
50%	13-14 hrs
35%	15-17hrs
20%	17-22 hrs
OFF	OFF
Holding for 5-seconds	Changes LED color

3

\* Note: Run times will vary significantly based on factors such as; Sun Exposure, Season, Geographic Location, Shading, Installed Location/Position, Battery Condition, Brightness Setting, etc... The following run times should only be used as a general reference and are not guaranteed. Consider your local environment.

## CHANGING BRIGHTNESS LEVELS

Wave the magnet over the solar panel at night until you find the activation area which changes the brightness level.

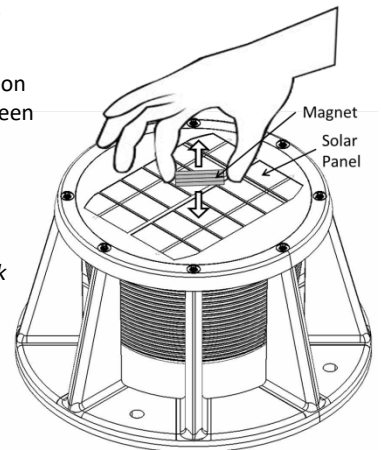
Make a quick up & down motion over this area to change between brightness levels and OFF.

**NOTE:** moving too slowly may activate the magnet switch multiple times going through multiple levels at once. A quick motion will help!

## CHANGING LED COLORS

Hold the magnet over the activation area for 5 seconds until the LED color changes

## NEW MAGNET SWITCH OPERATION



4

Change brightness/power level at night by waving the magnet over the solar panel

Holding the magnet for 5-seconds in the activation area will change to the next LED color. You may then change between brightness/power levels on that LED color.

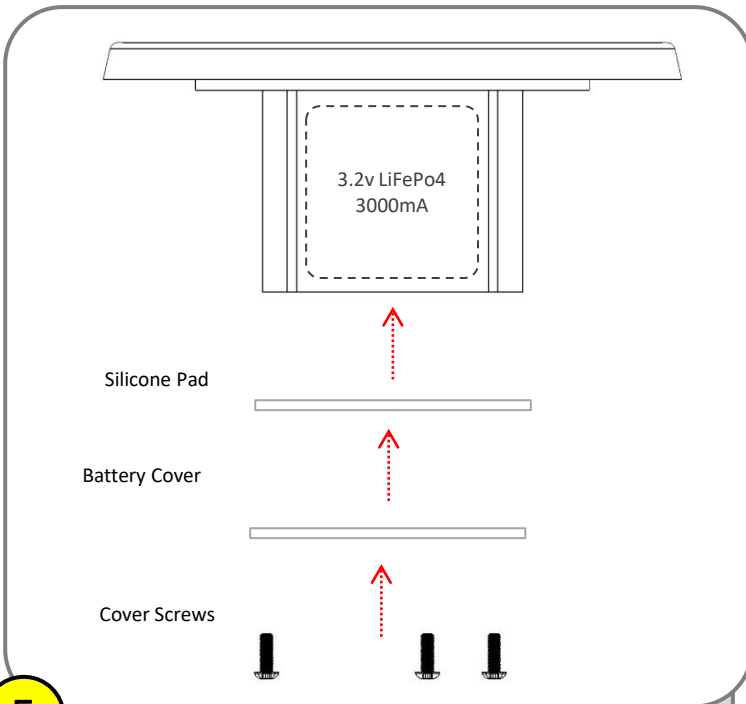


Lake Lite Inc.  
100 Industrial Dr.  
Avilla, IN 46710

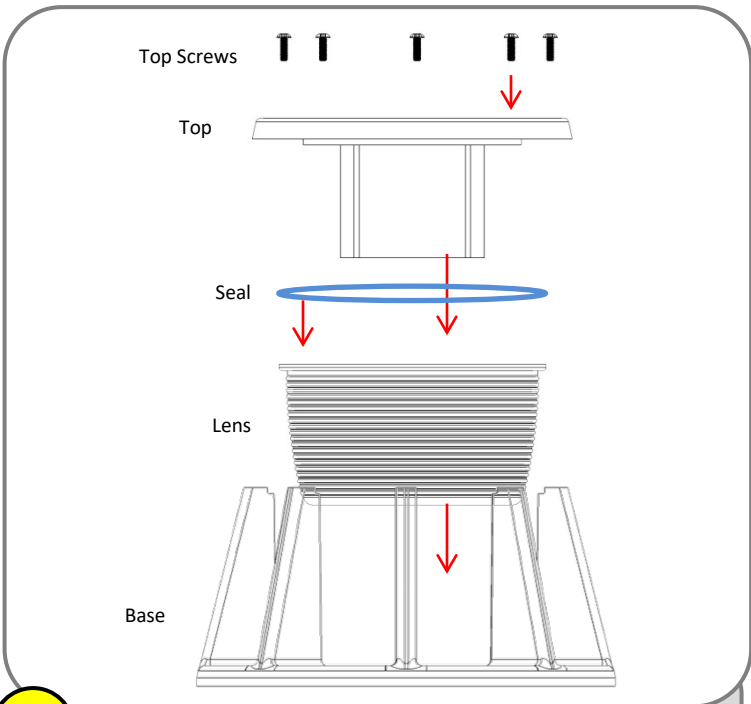
Phone: 260-918-2758  
E-mail: sales@lakelite.com  
Web: www.lakelite.com

# SOLAR PILING LITE – 8”

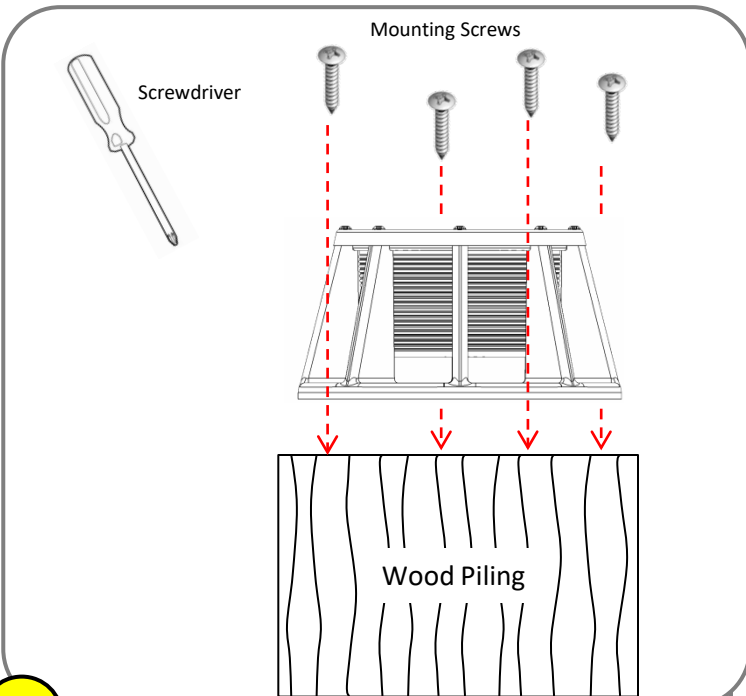
MODEL: LL-SPL-WBA



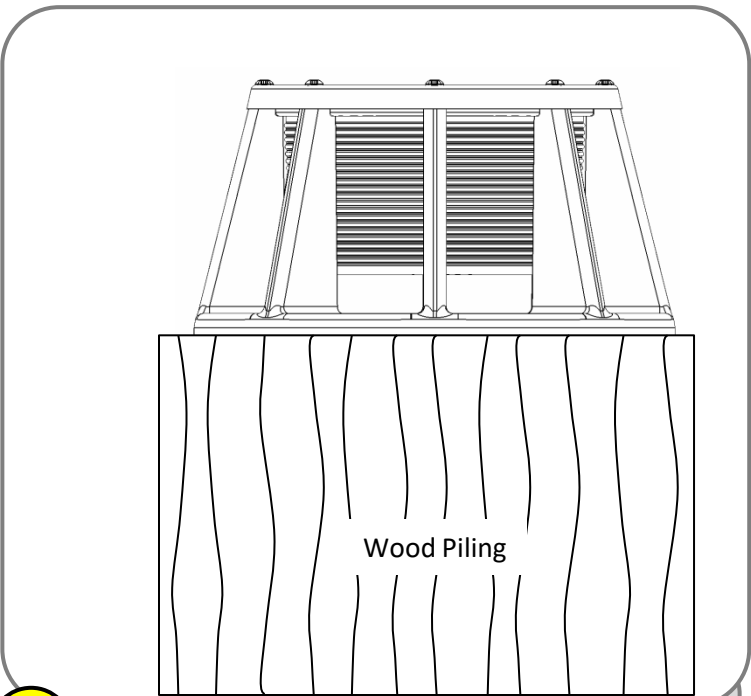
**5** Use the provided wrench and screws to secure the silicone pad and battery cover. Fully tighten screws to ensure the chamber is waterproof.



**6** Use Provided wrench and top screws to assembly your light together. NOTE: The seal must be in the correct position before tightening down the top to the base.



**7** Place light onto piling and mark holes. Drill small pilot holes in piling with drill bit. Use screwdriver to secure the light to your piling with mounting screws – *Not Included*



**8** Verify that the top screws are tight to provide a good seal for the lens. Verify that the base of the light is secured to the piling.



Lake Lite Inc.  
100 Industrial Dr.  
Avilla, IN 46710

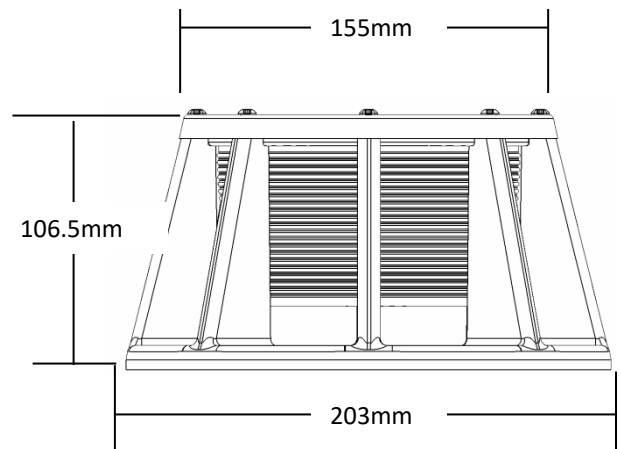
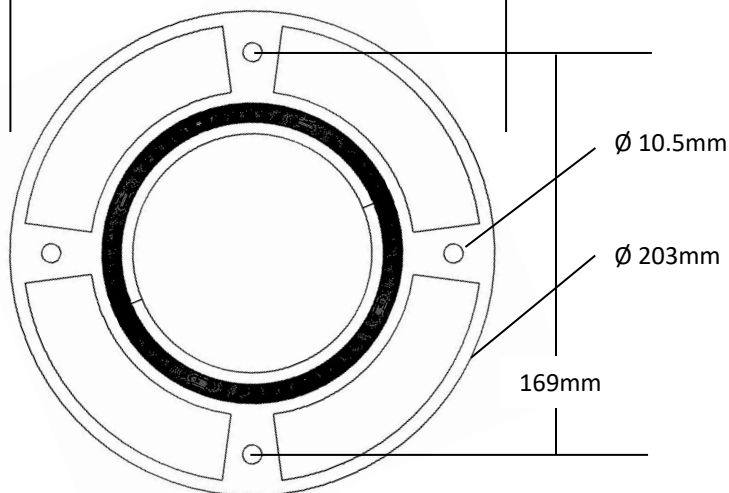
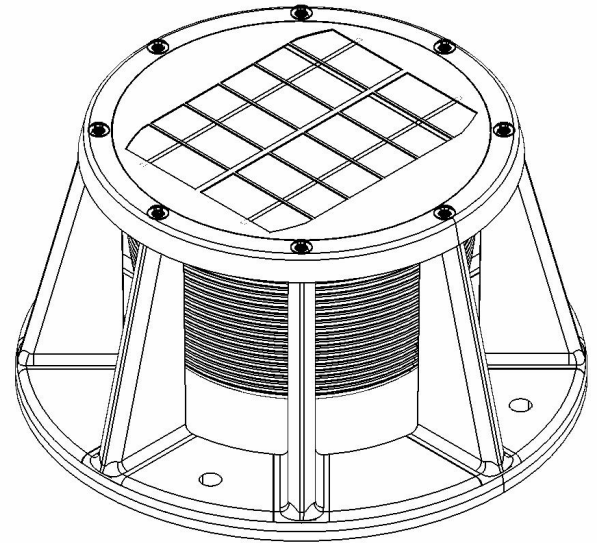
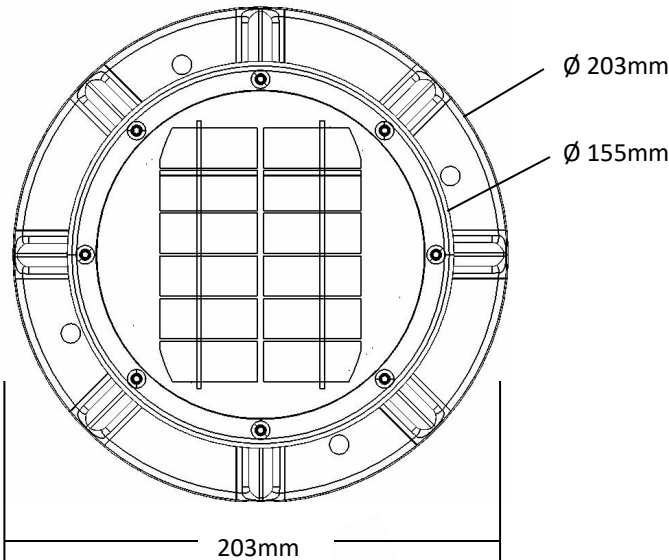
Phone: 260-918-2758  
E-mail: sales@lakelite.com  
Web: www.lakelite.com

# SOLAR PILING LITE – 8”



MODEL: LL-SPL-WBA

Dimensions = mm



## Owner Registration Card

Please fill out and affix proper postage and return this owner registration card **within 10 days** to ensure that your new Solar Piling Light is covered by the limited warranty.

Purchaser's Name \_\_\_\_\_

Address \_\_\_\_\_

State \_\_\_\_\_ Zip \_\_\_\_\_

Purchase Date: \_\_\_\_\_ Number of Lights: \_\_\_\_\_

Where Purchased (Store Name): \_\_\_\_\_

Model No. \_\_\_\_\_ LL-SPL-WBA  
UPC No. \_\_\_\_\_ Varies On Different  
Models

Lake Lite Inc.  
100 Industrial Dr. Avilla, IN 46710

## Lake Lite Inc. 1-Year Limited Warranty

The retailer warrants the Solar Light to be free from defects in workmanship and material present at time of shipment from the factory for a period of one year after the date of purchase by the original purchaser. We agree to correct such defects without charge or at our option replace with a comparable or superior model if the product is returned to the retailer. To obtain warranty service, you must present a copy of the receipt as proof of purchase. All costs of removing and reinstalling the product are your responsibility. Damage to any part such as by accident or misuse or improper installation or by affixing any accessories, is not covered by this warranty. There is no other express warranty. The retailer hereby disclaims any and all warranties, including but not limited to, those of merchantability and fitness for a particular purpose to the extent permitted by law. The duration of any implied warranty, which cannot be disclaimed, is limited to the time period as specified in the express warranty. Some states do not allow limitation on how long an implied warranty lasts, so the above limitation may not apply to you. The retailer shall not be liable for incidental, consequential, or special damages arising out of or in connection with product use or performance except as may otherwise be accorded by law. Some states do not allow the exclusion of incidental or consequential damage, so the above exclusion or limitation may apply to you. This warranty gives specific legal rights, and you may also have other rights, which vary from state to state. This warranty supersedes all prior warranties.



Lake Lite Inc.  
100 Industrial Dr.  
Avilla, IN 46710

Phone: 260-918-2758  
E-mail: sales@lakelite.com  
Web: www.lakelite.com