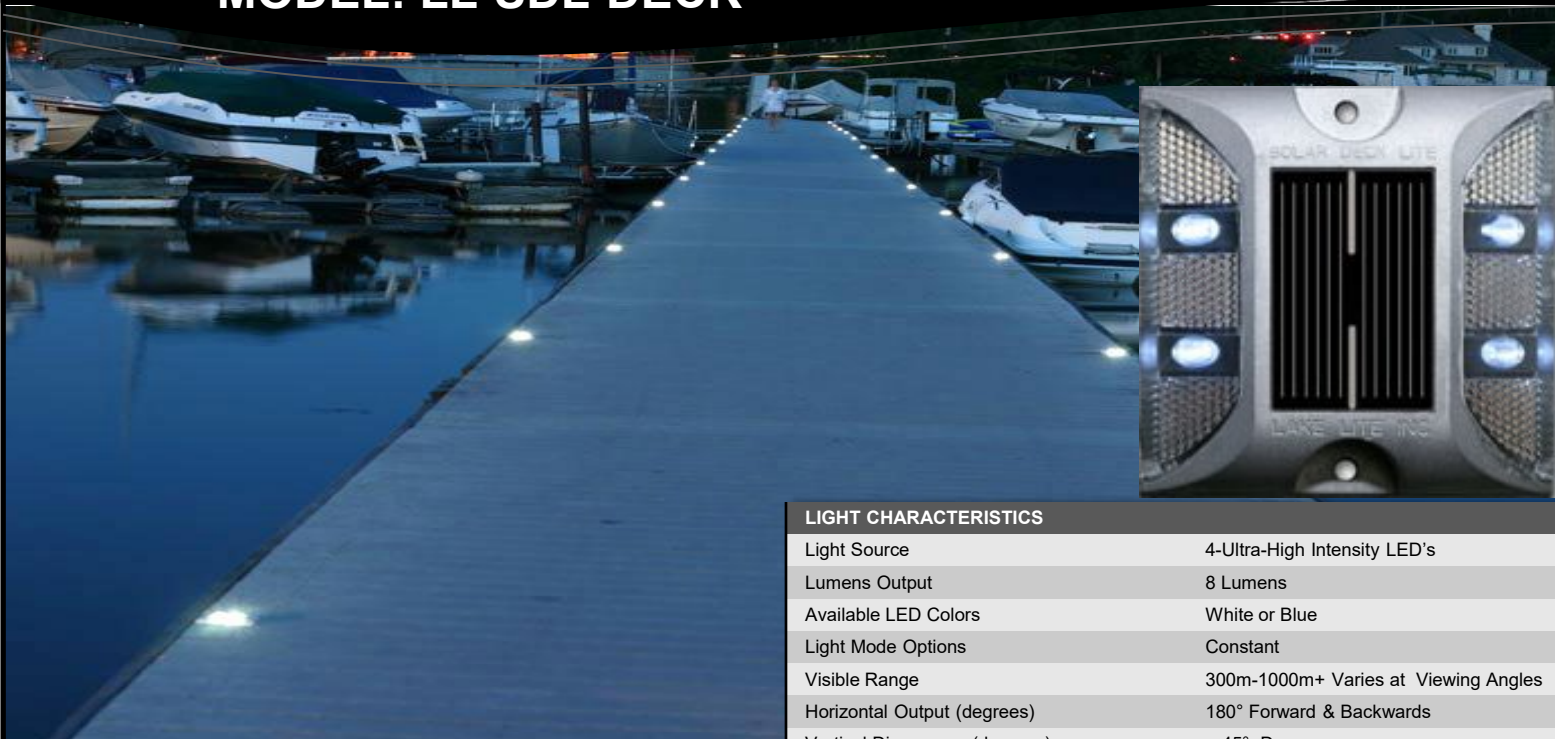


Solar Deck Lite

MODEL: LL-SDL-DECK



Solar Deck Lite

LL-SDL-DECK-W (WHITE)

LL-SDL-DECK-B (BLUE)

The Marine Grade Solar Deck Lite is an industrial strength solar powered dock light made from anodized aluminum for superior protection in harsh marine environments. Will not rot from harsh sun exposure! IP 68 Water-Proof design. Super bright LED's and powerful solar panel provide all night illumination. Low profile design makes it perfect for docks and marina applications needing to provide ambient pathway & dock lighting. Added built in reflector provides extra safety for passing boaters as well makes them ideal for marking swim rafts. Easy hassle-free mounting, no wires, no mess, no electrical cost!

LIGHT CHARACTERISTICS

Light Source	4-Ultra-High Intensity LED's
Lumens Output	8 Lumens
Available LED Colors	White or Blue
Light Mode Options	Constant
Visible Range	300m-1000m+ Varies at Viewing Angles
Horizontal Output (degrees)	180° Forward & Backwards
Vertical Divergence (degrees)	+ 45° Degrees
LED Life Expectancy (hours)	> 100,000 hrs

ELECTRICAL CHARACTERISTICS

Circuit Protection	Integrated
Nominal Voltage (v)	2.4v
Autonomy (hours)	16-20 hrs *On Full Charge*
Temperature Range	14-158° Fahrenheit

SOLAR CHARACTERISTICS

Solar Module Type	Multicrystalline or Monocrystalline
Power (watts)	.40 watts
Solar Module Efficiency (%)	16-17%

POWER SUPPLY

Battery Type	High Grade NiCd or NiMH – ECO Friendly
Battery Size	2 X AAA
Battery Capacity (mAh)	400 mAh (Suggested: Larger)
Nominal Voltage (v)	1.2V/ Battery X 2pcsv
Battery Service Life	1-3 years (Varies With Environment)
Battery Service Access	Yes: User Changeable / Replaceable

PHYSICAL CHARACTERISTICS

Body Material	Anodized Marine Aluminum
Lens Material	UV Stabilized Polycarbonate
External Lens Design	Reflector
Waterproof Rating	IP 68
Mounting	Any Flat Surface
Height	.85"
Width / Diameter	4" X 4.10"
Weight	0.75lbs

OPTIONS

Custom Options, Sizes & Colors	Please Contact
Custom Hardware & Mounting	Please Contact

* Information subject to change without notice



Lake Lite Inc.
100 Industrial Dr.
Avilla, IN 46710

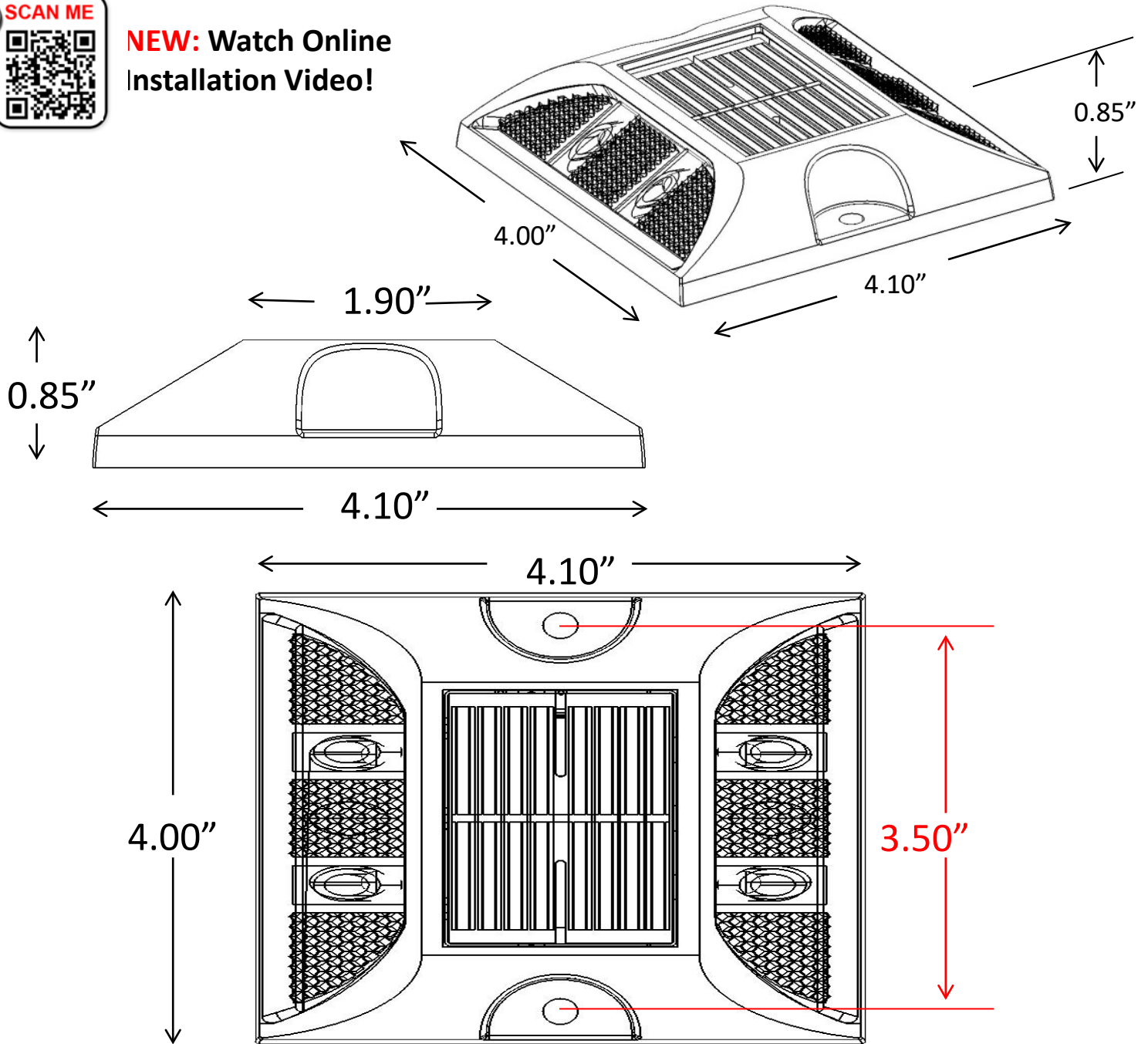
Phone: 260-918-2758
E-mail: sales@lakelite.com
Web: www.lakelite.com

Solar Deck Lite

MODEL: LL-SDL-DECK



NEW: Watch Online
Installation Video!



Storage Tips (Harsh Winters)



Extreme winter weather can reduce the life expectancy of your Solar Deck Lite

1. Extreme Cold weather can dramatically reduce the life expectancy of your rechargeable Ni-Cd or Ni-Mh battery.
2. Store your Solar Deck Lite inside during cold months when your dock is not in use.



CAUTION: CONTAINS NICKEL-CADMIUM BATTERIES. BATTERY MUST BE RECYCLED OR DISPOSED OF PROPERLY.



Lake Lite Inc.
100 Industrial Dr.
Avilla, IN 46710

Phone: 260-918-2758
E-mail: sales@lakelite.com
Web: www.lakelite.com

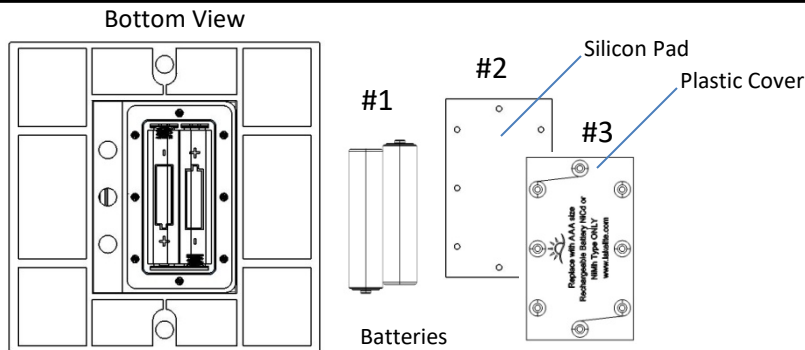
Solar Deck Lite

MODEL: LL-SDL-DECK



Installing Batteries

1. Install Batteries in correct position
2. Install silicon pad over batteries
3. Install plastic cover over silicon pad
4. Use provided screw to secure plastic cover



(Replace with 1.2v NiCd or NiMh type rechargeable batteries ONLY)

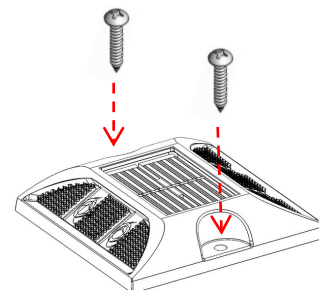
Mounting to Surface

1. Purchase desired mounting screws or bolts
2. Place/Space Deck Lites in desired locations on surface
3. Use pencil to mark mounting holes
4. Use electric drill with small drill bit to make pilot holes
5. Use screwdriver or electric screwdriver to mount unit

2-Screws/Bolts
For each light



Tools Required



Recommended screw size #10 or #12 size 1" or longer

Owner Registration Card

Please fill out and affix proper postage and return this owner registration card **within 10 days** to ensure that your new Solar Deck Lite is covered by the limited warranty.

Purchaser's Name _____

Address _____

State _____ Zip _____

Purchase Date: _____ Number of Lights: _____

Where Purchased (Store Name): _____

Model No. LL-SDL-DECK

UPC No. 718122548286

Lake Lite Inc.

100 Industrial Dr. Avilla, IN 46710
www.lakelite.com sales@lakelite.com

Lake Lite Inc. 1-Year Limited Warranty

The retailer warrants the Solar Lites to be free from defects in workmanship and material present at time of shipment from the factory for a period of one year after the date of purchase by the original purchaser. We agree to correct such defects without charge or at our option replace with a comparable or superior model if the product is returned to the retailer. To obtain warranty service, you must present a copy of the receipt as proof of purchase. All costs of removing and reinstalling the product are your responsibility. Damage to any part such as by accident or misuse or improper installation or by affixing any accessories, is not covered by this warranty. There is no other express warranty. The retailer hereby disclaims any and all warranties, including but not limited to, those of merchantability and fitness for a particular purpose to the extent permitted by law. The duration of any implied warranty, which cannot be disclaimed, is limited to the time period as specified in the express warranty. Some states do not allow limitation on how long an implied warranty lasts, so the above limitation may not apply to you. The retailer shall not be liable for incidental, consequential, or special damages arising out of or in connection with product use or performance except as may otherwise be accorded by law. Some states do not allow the exclusion of incidental or consequential damage, so the above exclusion or limitation may apply to you. This warranty gives specific legal rights, and you may also have other rights, which vary from state to state. This warranty supersedes all prior warranties.



Lake Lite Inc.
100 Industrial Dr.
Avilla, IN 46710

Phone: 260-918-2758
E-mail: sales@lakelite.com
Web: www.lakelite.com

Solar Light Performance & Run Times Yearly Monthly (Averages)

Very Bright & Long Sunny Days

The following information illustrates the significant impact weather, time of year and geographic location have on solar lighting products. Actual performance and run times can vary SIGNIFICANTLY based on these factors. The following information should be used as a general reference for solar light performance.

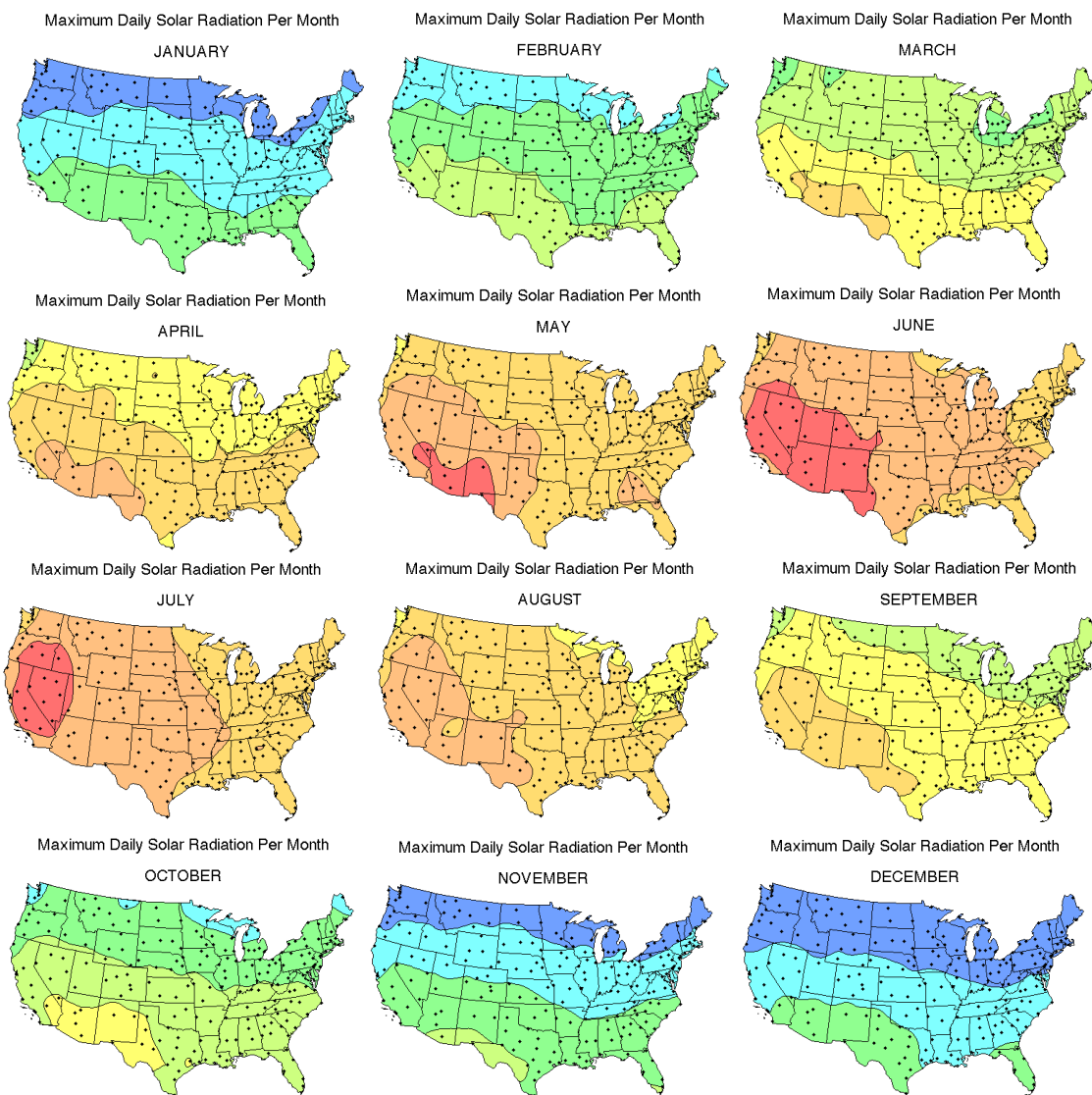
Battery capacity will reduce during the course of the battery life cycle. Replacing batteries, when necessary, will boost performance. Replacing batteries with a higher capacity battery will increase run times when fully charged, however, higher capacity batteries take longer to recharge.



12-Month HIGH'S



Weather conditions have a significant impact on the performance & run times of solar lighting products



BATTERY CHARGE	RUN TIMES
	18+ Hrs
	16+ Hrs
	14+ Hrs
	12+ Hrs
	10+ Hrs
	8+ Hrs
	6+ Hrs
	4+ Hrs
	2+ Hrs
	1+ Hrs

NOTE:
The following are estimated run times and vary significantly with actual conditions, lighting product, battery capacity, battery condition and numerous other factors.



Lake Lite Inc.
100 Industrial Dr.
Avilla, IN 46710

Phone: 260-918-2758
E-mail: sales@lakelite.com
Web: www.lakelite.com