

Solar Wave Dots – For Wave Armor Docks



LL-SDL-WAVE

6*
Lumens



Solar Dock Dots: LL-SWD-WAVE

Solar Wave Dots are simply the neatest, smallest, solar lights you have ever seen for your Wave Armor Dock! Super Bright LEDs make these brilliant solar lights stand out at night! A flush mount makes them virtually unnoticeable during the day and eliminates any tripping hazards. Easy to install in minutes with a quick suction pocket that the light snaps right into. A super bright LED and powerful solar panel provide all night illumination. Impress all the neighbors with these simple to install solar units!

Available with Warm White or Blue LEDs

LIGHT CHARACTERISTICS

Light Source	1-Ultra-High intensity LED
Lumens output	6 Lumens *Varies with Color
Available LED Colors	Warm White and Blue
Light Mode Options	Constant
Visible Range	50m – 300m+ *Depending on Installation
Horizontal Output (degrees)	360° + Horizon
Vertical Divergence (degrees)	35-45°
LED Life Expectancy (hours)	> 100,000 hrs

ELECTRICAL CHARACTERISTICS

Circuit Protection	Integrated
Nominal Voltage (v)	1.2v
Autonomy (hours)	16-20hrs *On full Charge
Temperature Range	-4 to 158° Fahrenheit

SOLAR CHARACTERISTICS

Solar Module Type	Multicrystalline or Monocrystalline
Power (watts)	0.45 watts
Solar Module Efficiency (%)	16-17%

POWER SUPPLY

Battery Type	High Grade NiMh – ECO Friendly
Battery Size	AAA
Battery Capacity (mAh)	400 mAhr
Nominal Voltage (v)	1.2v
Battery Service Life	1-3 years (Varies with local Environment)
Battery Service Access	Yes: User Changeable / Replaceable

PHYSICAL CHARACTERISTICS

Body Material	UV Stabilized Poly Carbonate
Lens Material	UV Stabilized Poly Carbonate
External Lens Design	Integrate Convex Optics & Diffusion
Internal Lens design	360° Convex Optics & Diffusion
Waterproof Rating	IP 68
Mounting	Pressure snap fit for Wave Armor Docks
Height	3.58"
Width / Diameter	" Body & Lip
Weight	.6 Lbs (2 pack)

OPTIONS

Custom Options, Sizes, & Colors	Please Contact
Custom Hardware & Mounting	Please Contact

* Information subject to change without notice



Lake Lite Inc.
100 Industrial Dr.
Avilla, IN 46710

Phone: 260-918-2758
E-mail: sales@lakelite.com
Web: www.lakelite.com

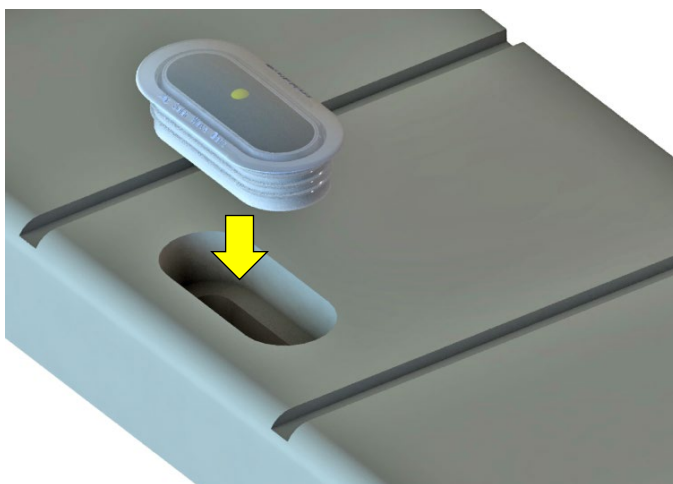
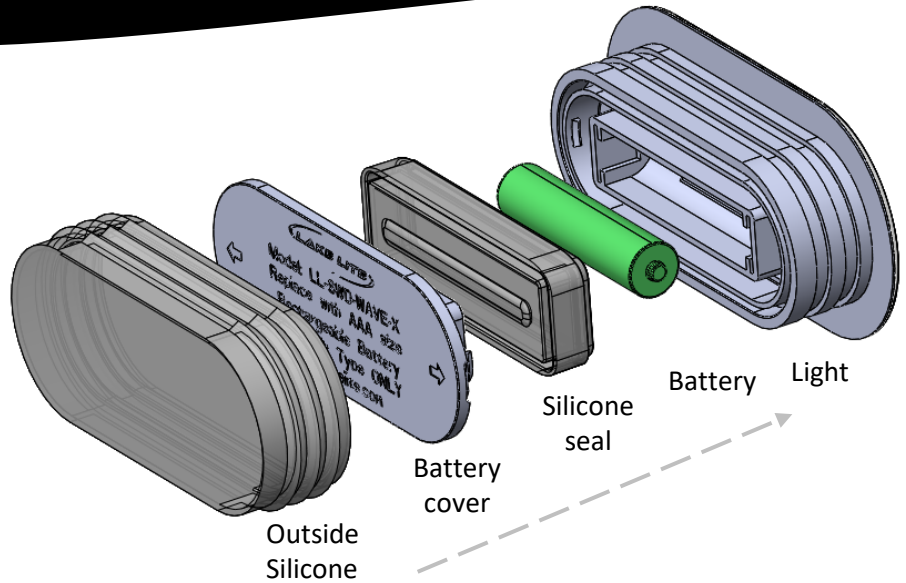
Solar Wave Dots – For Wave Armor Docks



LL-SDL-WAVE

Installing Batteries & Covers

1. Install battery.
2. Install silicone seal.
3. Install cover & snap.
4. Install outside silicone
5. Press into dock pocket.



TO OPEN



NOTE: To remove battery cover, use a screwdriver & twist to unsnap cover.

Storage Tips (Harsh Winters)



COLD winter weather can reduce battery life expectancy!

- Extreme cold weather can dramatically reduce the life expectancy of your rechargeable Ni-Cd or Ni-Mh batteries.
- Store your Solar Dock Light inside during cold months when your dock is not in use.

•For best results follow these tips:

1. **Charge batteries fully on a sunny day, before nightfall turn the switch to OFF.**
2. Store Lights with batteries inside in a warmer indoor climate for longer battery life. (Switched Off)
3. If the lights will be stored in a cold climate its recommended to remove the batteries from the lights and store the batteries in a warmer indoor climate.



CAUTION: PLEASE KEEP OUR ENVIRONMENT CLEAN! BATTERIES MUST BE RECYCLED OR DISPOSED OF PROPERLY.



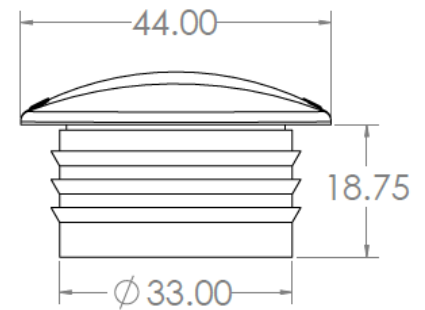
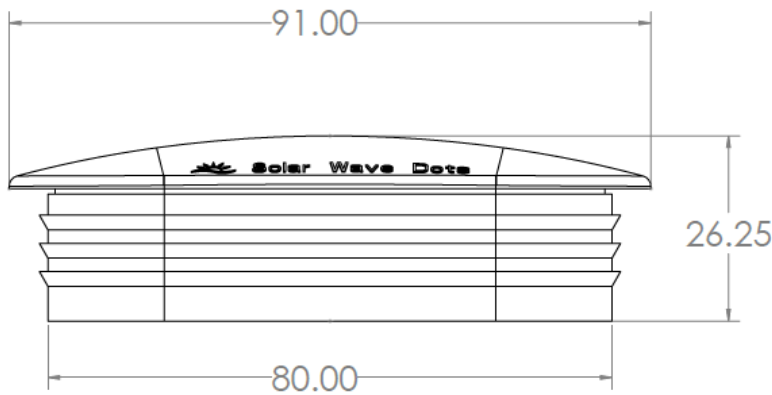
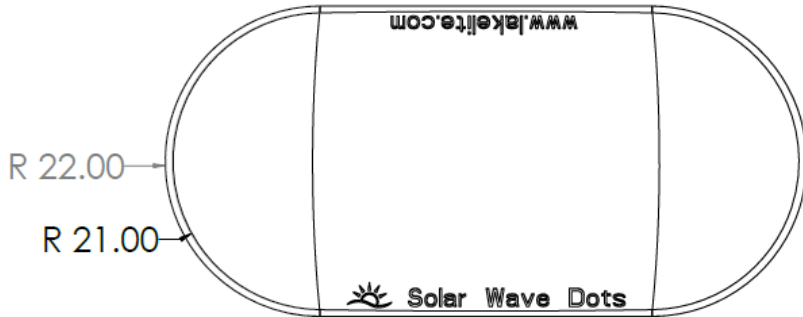
Lake Lite Inc.
100 Industrial Dr.
Avilla, IN 46710

Phone: 260-918-2758
E-mail: sales@lakelite.com
Web: www.lakelite.com

Solar Wave Dots – For Wave Armor Docks

MODEL: LL-SWD-WAVE

Dimensions = mm



Owner Registration Card

Please fill out and affix proper postage and return this owner registration card **within 10 days** to ensure that your new Solar Wave Dots is covered by the limited warranty.

Purchaser's Name _____

Address _____

State _____ Zip _____

Purchase Date: _____ Number of Lights: _____

Where Purchased (Store Name): _____

Model No. LL-SWD-WAVE

UPC No. Varies On Different Models

Lake Lite Inc.
100 Industrial Dr., Avilla, IN 46710

Lake Lite Inc. 1-Year Limited Warranty

The retailer warrants the Solar lights to be free from defects in workmanship and material present at time of shipment from the factory for a period of one year after the date of purchase by the original purchaser. We agree to correct such defects without charge or at our option replace with a comparable or superior model if the product is returned to the retailer. To obtain warranty service, you must present a copy of the receipt as proof of purchase. All costs of removing and reinstalling the product are your responsibility. Damage to any part such as by accident or misuse or improper installation or by affixing any accessories, is not covered by this warranty. There is no other express warranty. The retailer hereby disclaims any and all warranties, including but not limited to, those of merchantability and fitness for a particular purpose to the extent permitted by law. The duration of any implied warranty, which cannot be disclaimed, is limited to the time period as specified in the express warranty. Some states do not allow limitation on how long an implied warranty lasts, so the above limitation may not apply to you. The retailer shall not be liable for incidental, consequential, or special damages arising out of or in connection with product use or performance except as may otherwise be accorded by law. Some states do not allow the exclusion of incidental or consequential damage, so the above exclusion or limitation may apply to you. This warranty gives specific legal rights, and you may also have other rights, which vary from state to state. This warranty supersedes all prior warranties.



Lake Lite Inc.
100 Industrial Dr.
Avilla, IN 46710

Phone: 260-918-2758
E-mail: sales@lakelite.com
Web: www.lakelite.com