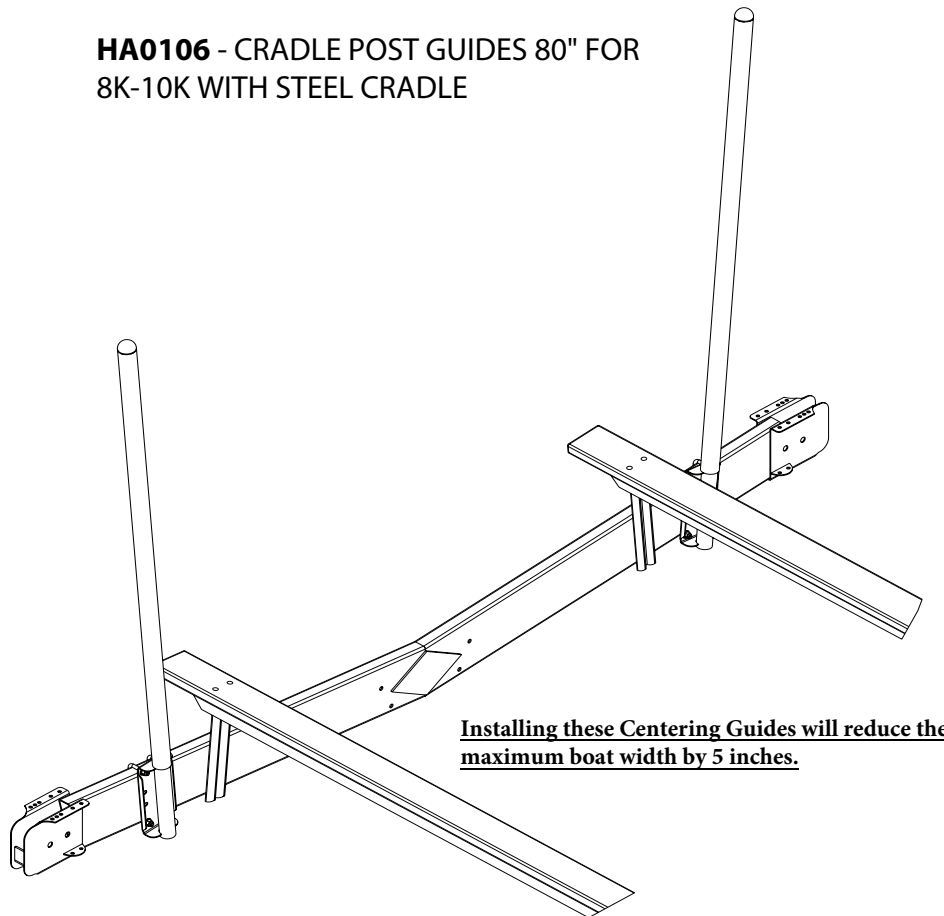


HA0291 - CRADLE POST GUIDES 80" FOR
8K-15K WITH STEEL CRADLE

HA0106 - CRADLE POST GUIDES 80" FOR
8K-10K WITH STEEL CRADLE



The **HA0106/HA0291** is intended to be used in conjunction with the **HA0107/HA0292** spring loaded post load guides. It is to be mounted on the front platform of the lift and is to be adjusted inward or outward to center your boat as it is loaded onto the lift.

They can also be used on both platforms without the spring loaded loadguides. The pair on the entry end platform have to be adjusted wide enough to allow the boat to enter the lift.

ASSEMBLY INSTRUCTIONS

Break open the bundle and sort all items by size.

Locate the two upright posts. Note that there is a right and left post that is determined by the mounting brackets. The upright post will tip outward slightly at the top when properly installed to allow for better loading and centering.

Position an upright post assembly with respect to the lift platform tube as shown in the diagram so it is located on the outside of the bunks sideways. It is important to mount the upright post toward the inside of the lift platform tube front to rear so that the lift platform can be lowered

completely without the upright post assemblies hitting the lower frame.

The bundle is shipped with 1/2" X 8-9/16" X 3" stainless steel mounting U-bolts to fit the 8" platform. Attach the upright post assembly to the lift platform using the U-bolts. Place the U-bolts around the lift platform tube as shown. Align the mounting bracket of the upright post assembly over the U-bolts and secure with 1/2" stainless steel lat washers and 1/2" brass lock nuts with nylon inserts. Repeat on the other upright post assembly.

ADJUSTMENT

Place the boat on the lift. Adjust the upright post assemblies so they are close to touching your boat. Tighten in this location. Try loading your boat. It is possible that they may need to be adjusted either in or out to best adapt to your boat and loading situation.

Installation is complete.