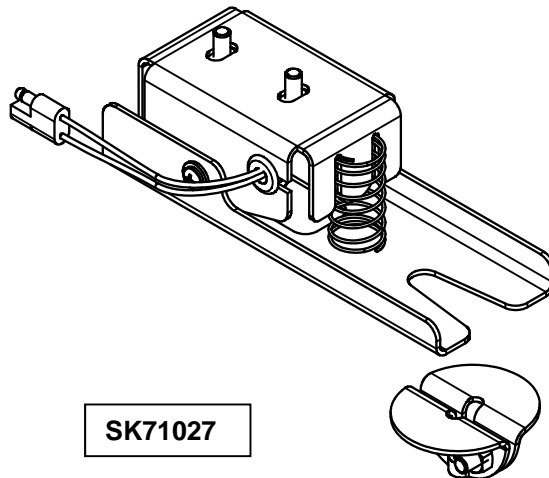
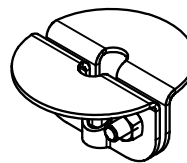


**SK70097****REPLACEMENT LIMIT SWITCH ASSEMBLY FOR FLEXPPOWER ELECTRIC &  
HYDRAULIC LIFTS**

SK71027

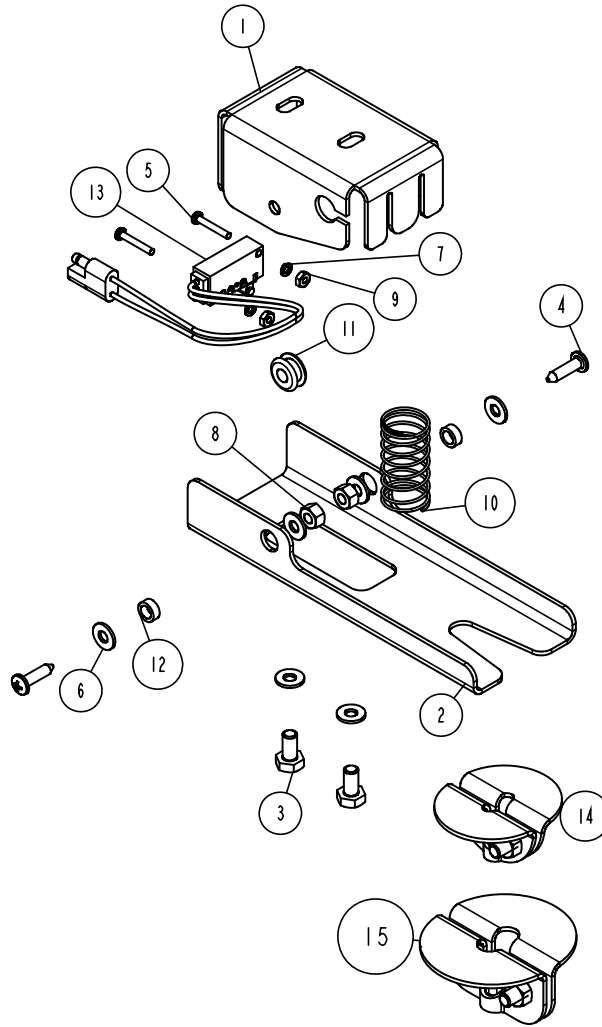


SK71108

USE THIS REPLACEMENT LIMIT SWITCH AND CABLE BUMP STOP AS FOLLOWS ON FLEXPPOWER LIFTS. THESE SWITCHES ARE MOUNTED TO THE BOTTOM SIDE OF THE WINCH TUBE IN HOLES THAT ARE DRILLED AND TAPPED TO MATCH THE SCREWS INCLUDED.

FOR FLEXPPOWER LIFTS FROM 1500 TO 8000 LBS USE THE SK71027.

FOR FLEXPPOWER LIFTS FROM 10,000 TO 15,000 LBS USE SK71108.



ITEM	PART #	DESCRIPTION	QTY	NOTE
1	70197	MICROSWITCH BASE	1	
2	70198	MICROSWITCH LEVER	1	
3	0150316	HH 1/4-20 X 1/2 CS FULL THREADED STAINLESS	2	
4	0850975	SCREW #10-32 X 3/4 PHIL PAN M/S STAINLESS	2	
5	0850978	SCREW 5-40 X 3/4 MS STAINLESS	2	
6	1350170	WASHER SAE FLAT #10 TYPE-A STAINLESS	6	
7	1350198	LOCKWASHER #5 STAINLESS	2	
8	1450550	NUT KEP #10-32 STAINLESS	2	
9	1450551	HEX NUT #5-40 STAINLESS	2	
10	2121230	SPRING COMPRESSION	1	
11	3510022	GROMMET 7/16IN MOLDED	1	
12	3820068	BUSHING - DOCK ACCESSORY LOCK	2	
13	5310267	SWITCH - OMRON D2VW-01L2A-1M	1	
14	SK71027	LIMIT STOP 15100/8000 LIFT CABLE ELEC & HYD		
15	SK71108	LIMIT STOP 10/15000 LIFT CABLE	1	