

LakeEZE[®]
BY KROEGER MARINE

Swim Stool
ASSEMBLY INSTRUCTIONS



HAND-CRAFTED, AMERICAN MADE
Built for Life on the Water

Thank You For Your Purchase!

Our focus at LakeEze® by Kroeger Marine has been simple—to build the highest quality, handcrafted lake products on the market. Our innovative solutions deliver both form and function, a fine balance between design and first-class aesthetics. Every LakeEze® product is designed with you in mind.

We hope you enjoy your LakeEze® Swim Stool for years to come. - Kroeger Marine

For questions contact us at 864-581-3469 or email sales@lakeeze.com



Important Safety Instructions

- It is recommended that this product be assembled by ages 18+.
- Use personal protective equipment (not included) when operating power tools.
- Do not expose power tools to water. Use a GFCI protected power supply when operating near water.
- Product must be assembled in the instructed order to prevent injury.

Usage & Maintenance

- Use caution when using the LakeEze® Swim Stool.
- Avoid using the LakeEze® Swim Stool in inclement weather.
- Do not exceed capacity of 350 lbs on the Swim Stool.
- Do not jump on or from the Swim Stool.
- The LakeEze® Swim Stool is not designed for unsupervised children under the age of 10. Adult supervision is recommended at all times.
- Always use caution when mounting or dismounting the LakeEze® Swim Stool.
- Check that all fasteners and hardware are securely tightened before use.
- Check for electrical current before using the LakeEze® Swim Stool
- To maintain the appearance and performance of your Swim Stool, clean it regularly with mild detergent and water.
- During the off season or extended periods of non-use, consider storing the LakeEze® Swim Stool in a dry sheltered location to protect it from the elements and prolong its lifespan.
- For instructions on cleaning your LakeEze® Swim Stool seat pad, please visit <https://gatorstep.com/cleaning/>

Tools

Tools Needed for Installation:

- Drill with 3/8" Chuck
- Socket/ Ratchet Wrench
- Impact Driver
- Phillips 2 Impact Bit
- 3/8" Drill Bit
- 11/64" Drill Bit
- 5/8" Drill Bit
- 5/32" Allen Wrench
- 7/32" Allen Wrench
- 7/16" Wrench or Socket
- 9/16" Wrench or Socket
- Pencil
- Measuring Tape

Packing List

Parts:

- Seat Rail w/ Ratchet (x1)
- Seat Post w/ Foot Hanger (x1)
- Seat Pan (x1)
- EVA Foam Seat Top (x1)
- Handle Adjustment Post

Bag A: (Dock Install)

- #10 x 1" Wood Screw (x4)
- Mounting Bushings (x2)

Bag C: (Seat and Cupholder Assembly)

- 3/8-16 x 1/2" Button Head Bolt (x4)
- M5 x 8mm Flat Head Screw (x6)

Bag B: (Roof Post Mount Install)

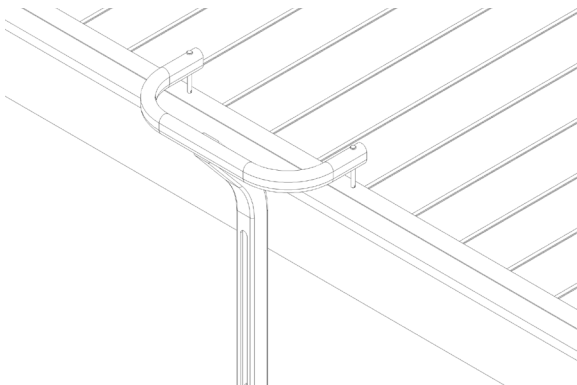
- 3/8 x 1/4" Bushing (x2)
- 3/8"-16 x2" Thread Forming Bolt (x2)

Bag D: (Adjustment Ratchet Assembly)

- 3/8 x 1/4" Bushing (x8)
- 1/4-20 x 2 1/2" Button Head Bolt (x1)
- 1/4" Flat Washer (x1)
- 1/4-20 Locknut

Assembly

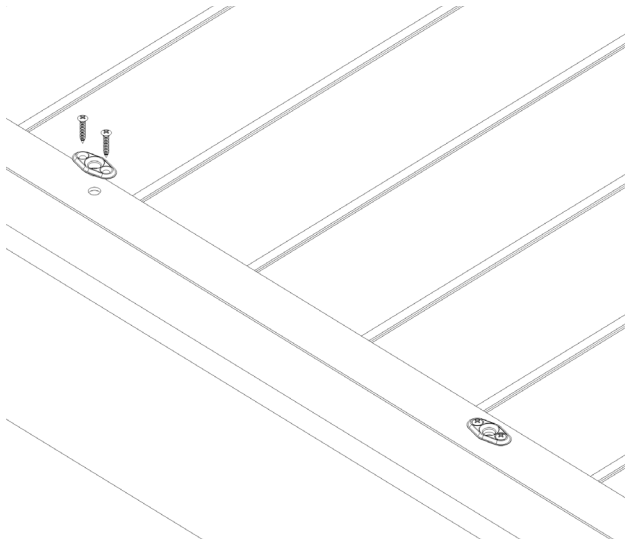
1) Place the upper frame at your desired location and mark the holes for the pins with a pencil. Ensure that the Adjustment Post is flush to the side of the dock prior to marking.



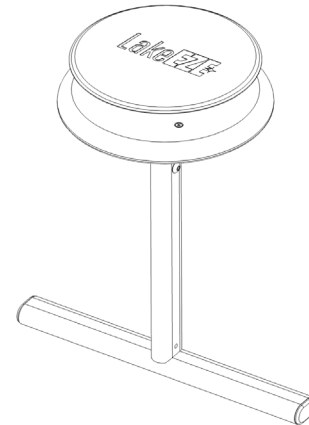
2) Drill through the decking AND frame at the marked locations with the 3/8" drill bit. Check that the mark for the second hole is still accurate and drill the second hole.

3) Drill the same holes through the DECKING ONLY with a 5/8" drill bit.

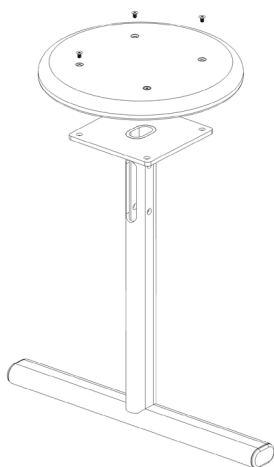
4) Install the mount bushings using the #10 x 1" wood screws from Bag A. (**Pro Tip: If mounting to hardwood or metal decking, pre-drill the screw holes using an 11/64" drill bit.**)



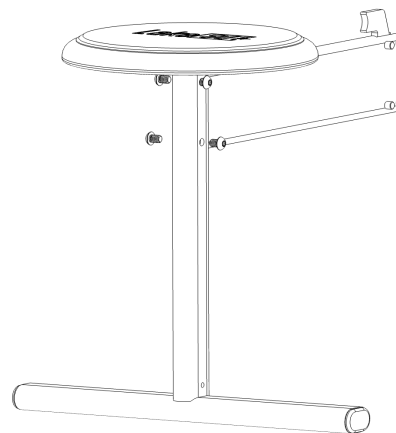
6) Remove the adhesive backing from the EVA foam seat top and place onto the top of the seat pan. (**Pro Tip: Take an extra moment to ensure the EVA foam seat top is centered and straight on the seat. Pay attention to which side has the receiver for step 7, this side will face the dock.**)



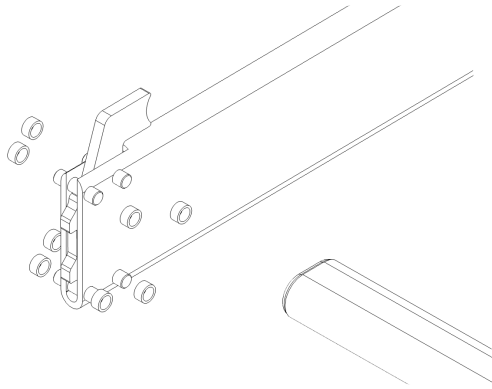
5) Bolt the seat pan to the top of the seat post with foot hanger using the four M5x8mm screws from Bag C.



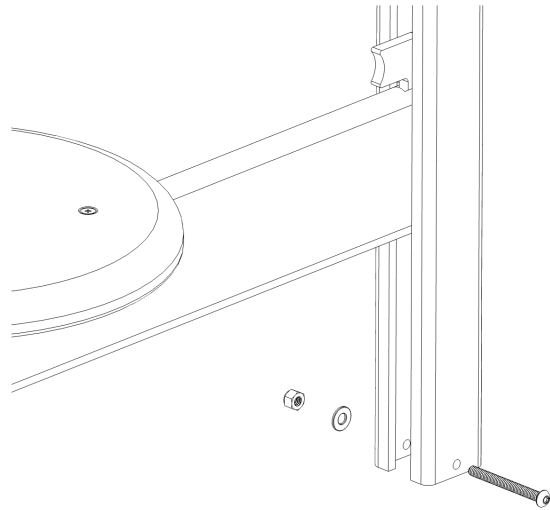
7) Bolt the seat rail with ratchet to the seat post with foot hanger using the 3/8-16 x 1/2" bolts from Bag C.



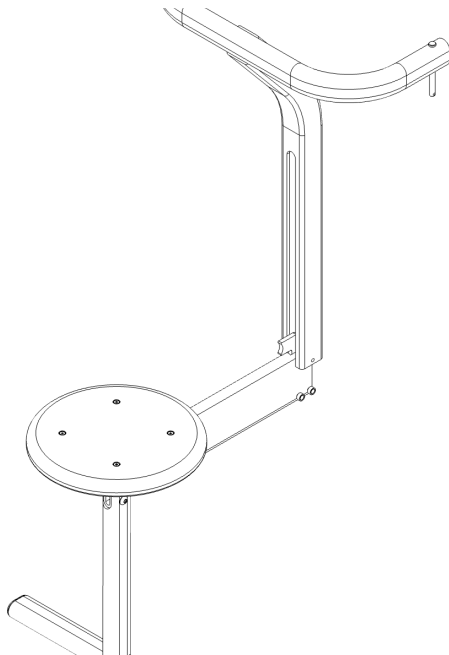
8) Gently place the bushings from Bag D on the dowels at the end of the seat rail with ratchet.



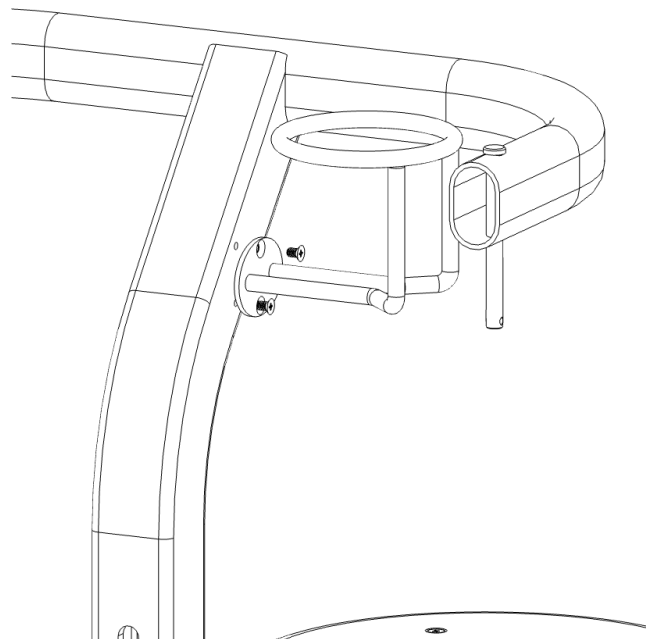
10) Install the 1/4-20 x 2 1/2" bolt from Bag D in the bottom of the handle adjustment post.



9) Slide the ratchet mechanism on the seat assembly into the bottom of the handle adjustment post.



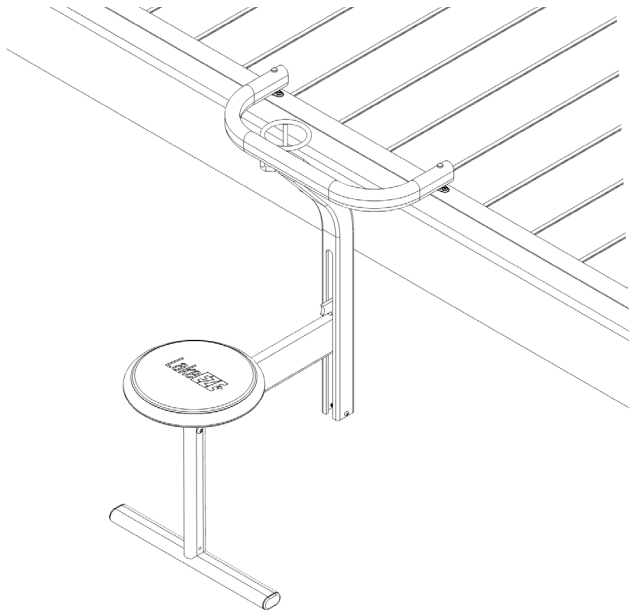
11) Attach the cup holder to the handle adjustment post using two of the M5x8mm screws from Bag C.



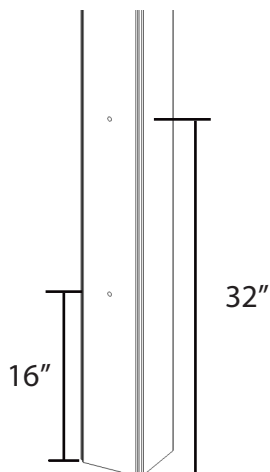
Installation

The images below represent installation on solid side channel docks. Installation method is the same for all dock styles. (Excluding plastic docks)

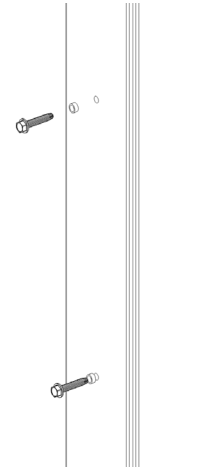
12) Insert the mounting pins in the handle adjustment post into the holes drilled in the deck, set your desired seat height and enjoy.



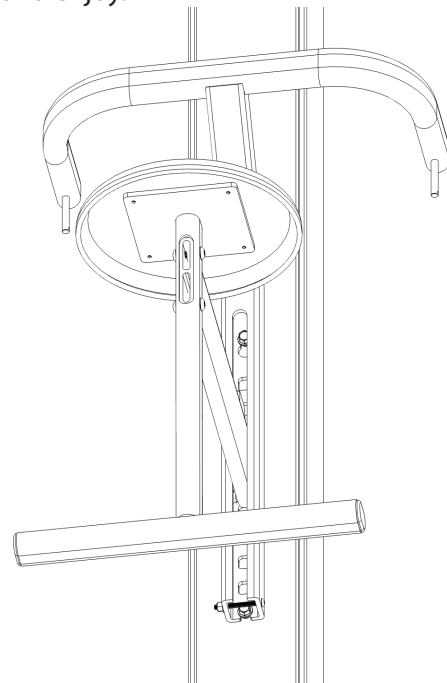
13) For roof post installation, mark two holes at 16" and 32" above the decking with a pencil. Pay special attention to make sure your marks are centered on the roof post. Drill the post holes through the front wall ONLY using a 5/16" drill bit.



14) Place one bushing onto each of the two 3/8" Bolts from Bag B and install into the holes in the post. Tighten till bushings contact the roof post.



15) Place the stool on the bolt studs using the key slots. Ensure the slots seat fully, set your desired seat height and enjoy.



Installation of LakeEze® Swim Stool is Complete.

To learn more about our innovative products,
visit us at lakeeze.com

2227 Blue Ridge Boulevard
Seneca, SC 29672
sales@lakeeze.com
864-581-3469
lakeeze.com

*Lake***EZE**[®]
BY KROEGER MARINE