

# ***ROTOMAG***

## **1500**

### **MODEL**

## **Installation Instructions**

### **1500 M, 1500E**

**BOAT LIFTS UNLIMITED**

**1901 BETSON COURT**

**ODENTON, MD 21113**

**410-674-3100**

Prior to installation:

- a). To insure that the lift will operate properly, adequate electricity should be available. electricity will also be needed to install the lift.
- a). Insure that the pilings are at least 43" above the deck of the pier.
- c). The lift pilings should be driven into the ground and tied back to the dock or seawall. otherwise the weight of the boat will pull the piling over.
- d). If existing piles are to be used, insure that they are not cracked or show signs of decay
- e). Obtain any required permits.

**DO NOT USE ANY POWER TOOLS WHILE STANDING IN THE WATER. IF ELECTRICITY MUST BE USED NEAR THE WATER, INSURE THAT THE CIRCUIT IS PROTECTED BY A GROUND FAULT INTERRUPTER.**

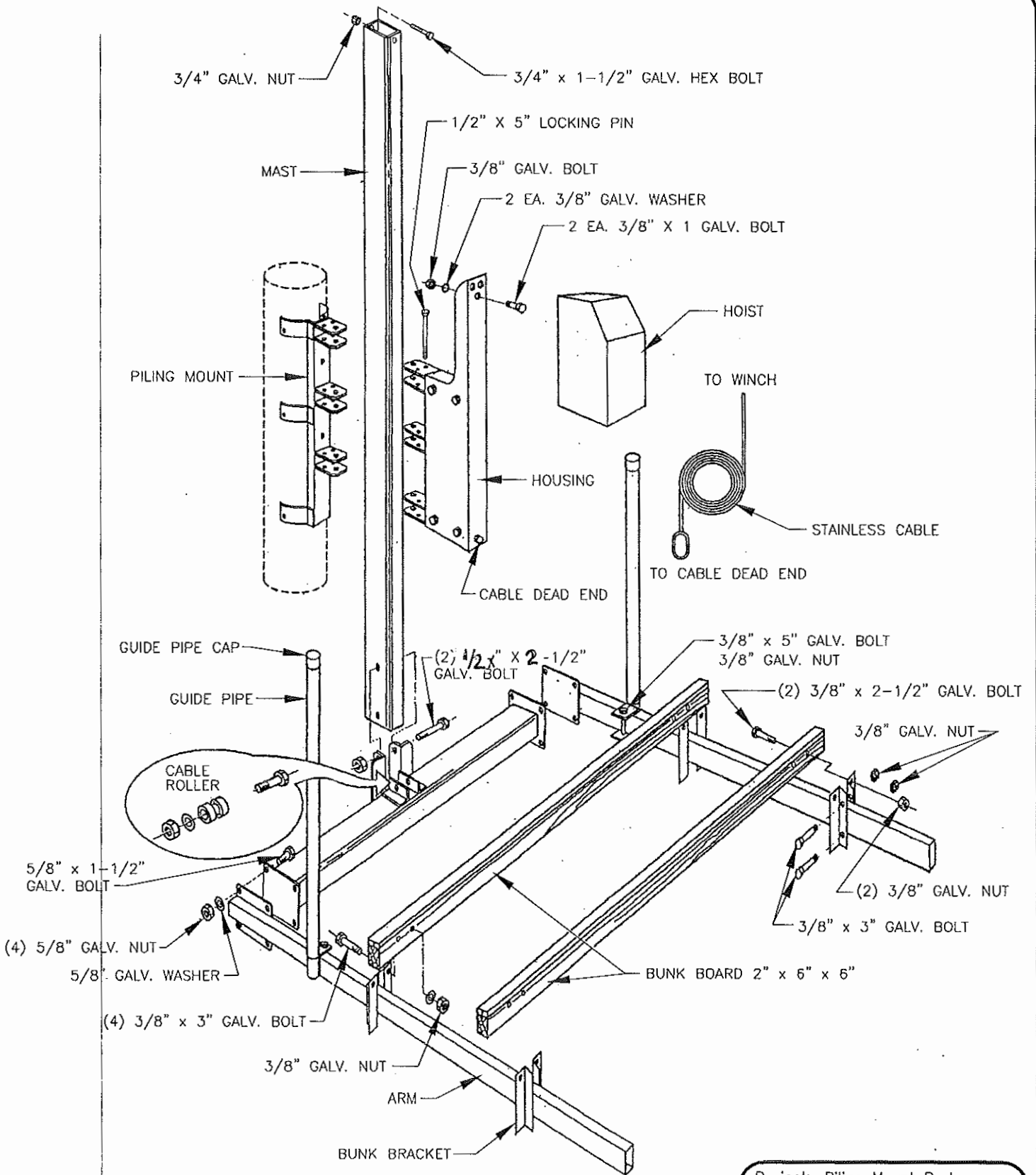


- 1). Determine which piling is to be used. The piling should be 10" in diameter and at least 43" tall above the deck boards. The piling needs to be bolted back to the pier to avoid the piling from creeping over when weight is placed on the lift.
- 2). Mount the piling mount to the piling (Fig.2). The top of the mount needs to be 43" above the deck boards. The piling mount must be plumb. The piling mount can be held against the piling and 2 lag bolts installed through the holes in the mount. This makes drilling and bolting the 6 attaching bolts easier.
- 3). Install the housing onto the mount (Fig 3). The nylon washers must be placed between the tabs. Apply a small amount of grease to the washers, top and bottom. This will make the housing spin freely. Install the aluminum stop in the mast and install the 2 cotter pins in the stop (Fig 1). Rotate the housing over the deck and install the mast into the housing (Fig 3).
- 4). Attach the stainless steel plate to the winch assy. Attach the winch to the housing (Fig1). Attach the cable to the dead end in the lower part of the housing. Route the cable under the roller in the backbone, then up to the winch. Attach the cable to the winch drum. Plug the switch in to an available 110 volt outlet. Turn the switch to the UP position and guide the cable onto the drum. As soon as the cable gets tension on it and picks up the mast, turn the switch to the OFF position.
- 4). Attach the back bone to the mast and secure with the 3/4 x 6 hex bolts, nuts and lock washers. Attach the arms, guides and bunks to the back bone (Fig 1). When attaching the bunks and guides to the arms it is best to keep the boat as close to the mast as possible.

**(1500) MODEL LIFT:  
PARTS LIST**

<b>NO.</b>	<b>ITEM DESCRIPTION</b>	<b>QTY</b>
	MAST TUBE 3" x 4" x 12'	1
	CRADLE ARM BASE 4" x 4" x 36"	1
	CABLE ROLLER INSTALLED	1
	CABLE ROLLER SLEEVE - INSTALLED	1
	CRADLE ARM 6'	1
	PILING MOUNT	1
	NYLON WASHERS - INSTALLED	6
	MAST CARRIER HOUSING	1
	MAST ROLLER - INSTALLED	2
	SLIDE PLATES - INSTALLED	4
	CABLE ASSEMBLY 1/4" x 23' - INSTALLED	1
	AMS 1500 HOIST ASSEMBLY	1
	AMS 1500 HOIST COVER	1
	MINI GUIDE POLE BASES	2
	MINI GUIDE POLE 2" PVC 4'	2
	2" PVC CAP	2
	VERTICAL BUNK BRACKETS 4 LEFT 4 RIGHT	8
	ROLLS 5" x 6' BUNK CARPET (WOOD OPTIONAL)	2
<b>HARDWARE BAG #1</b>		
	1/2" x 1-1/2" GALVANIZED HEX BOLT	3
	1/2" GALVANIZED LOCK WASHER	3
	1/2" GALVANIZED WASHER	3
	5/8" x 1-1/2" GALVANIZED HEX BOLT	8
	5/8" GALVANIZED NUT	16
	5/8" GALVANIZED LOCK WASHER	8
	5/8" x 14" GALVANIZED HEX BOLT	8
	5/8" GALVANIZED WASHER	8
	3/4" X 5-1/2" GALVANIZED HEX BOLTS	2
	3/4" GALVANIZED HEX BOLTS	3
	3/4" GALVANIZED NUTS	2
	3/4" GALVANIZED LOCK WASHER	2
	3/4" x 1-1/2" GALVANIZED HEX BOLT	1
	1/2" x 5" LOCKING PIN	1
	3/16" CABLE CLAMP	1





Project: Piling Mount Parts  
Figure No. 1

No.: 001	Revision Date:	
Scale: None	Date: 01-24-12	Sheet: 1 of 1

# RotoMag Piling Mount Installation

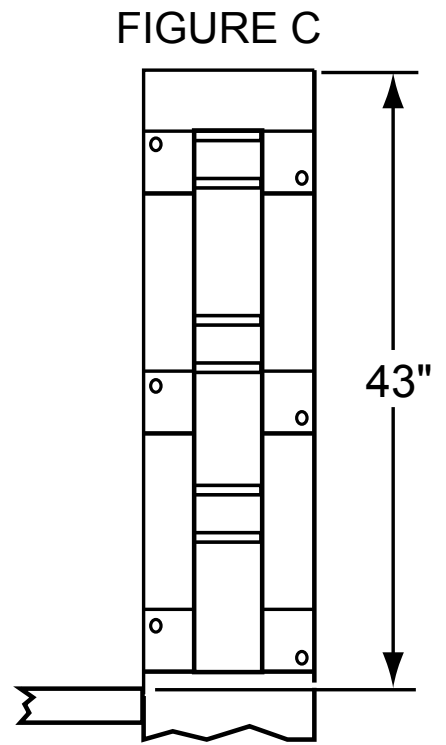
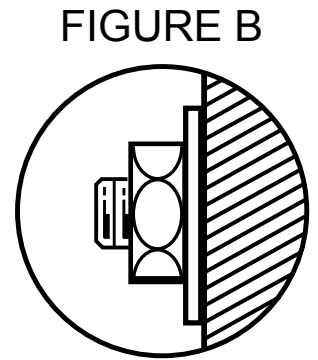
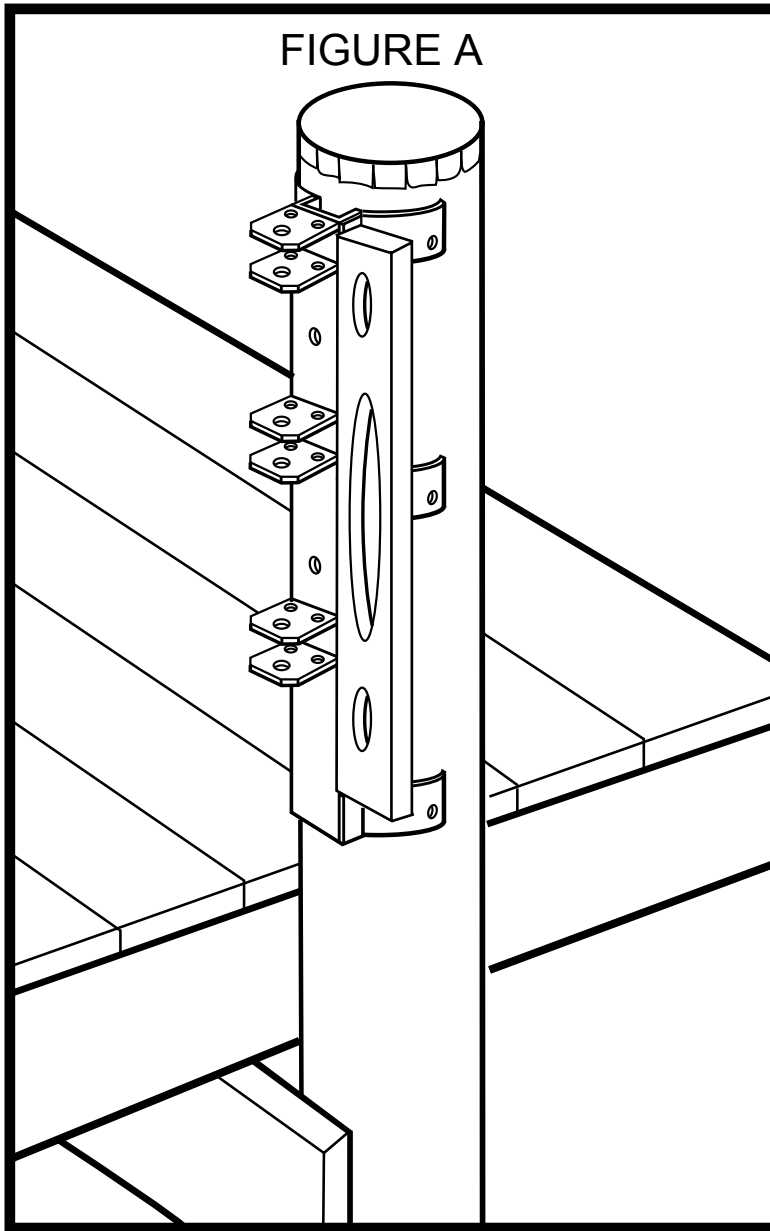


FIG. 2

# RotoMag Housing Installation

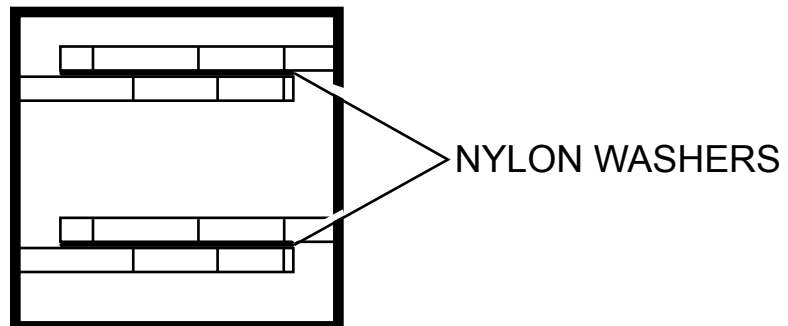
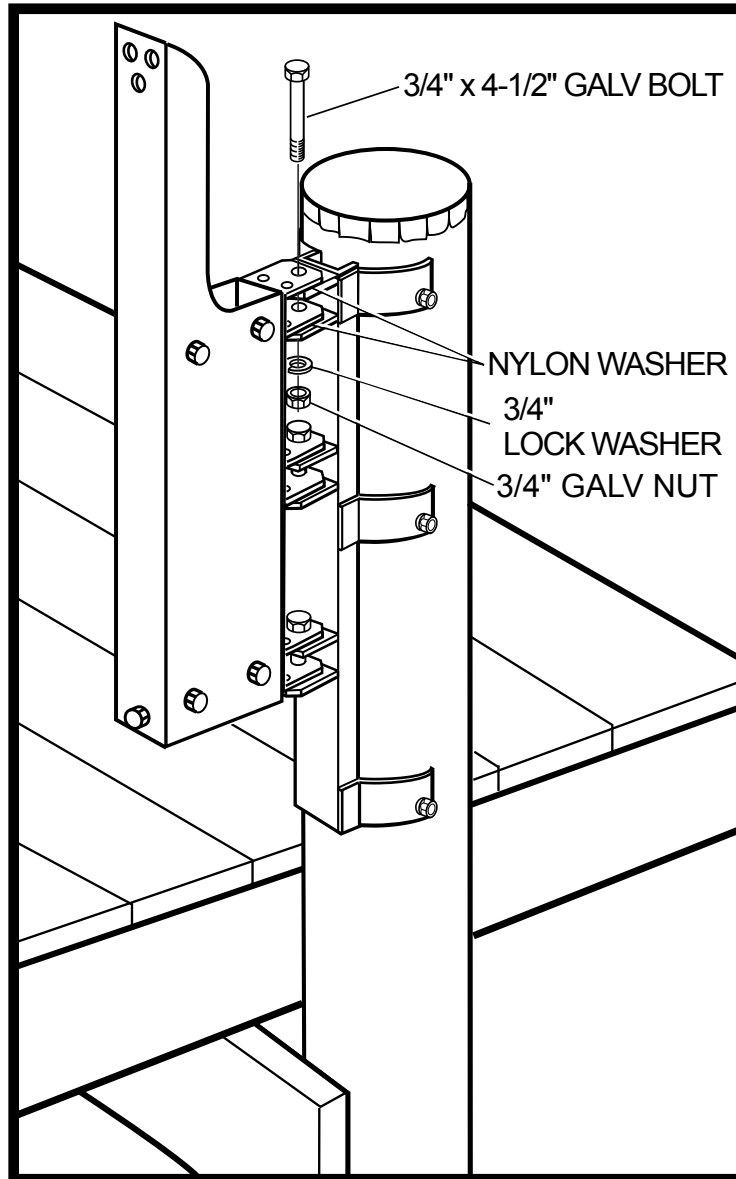
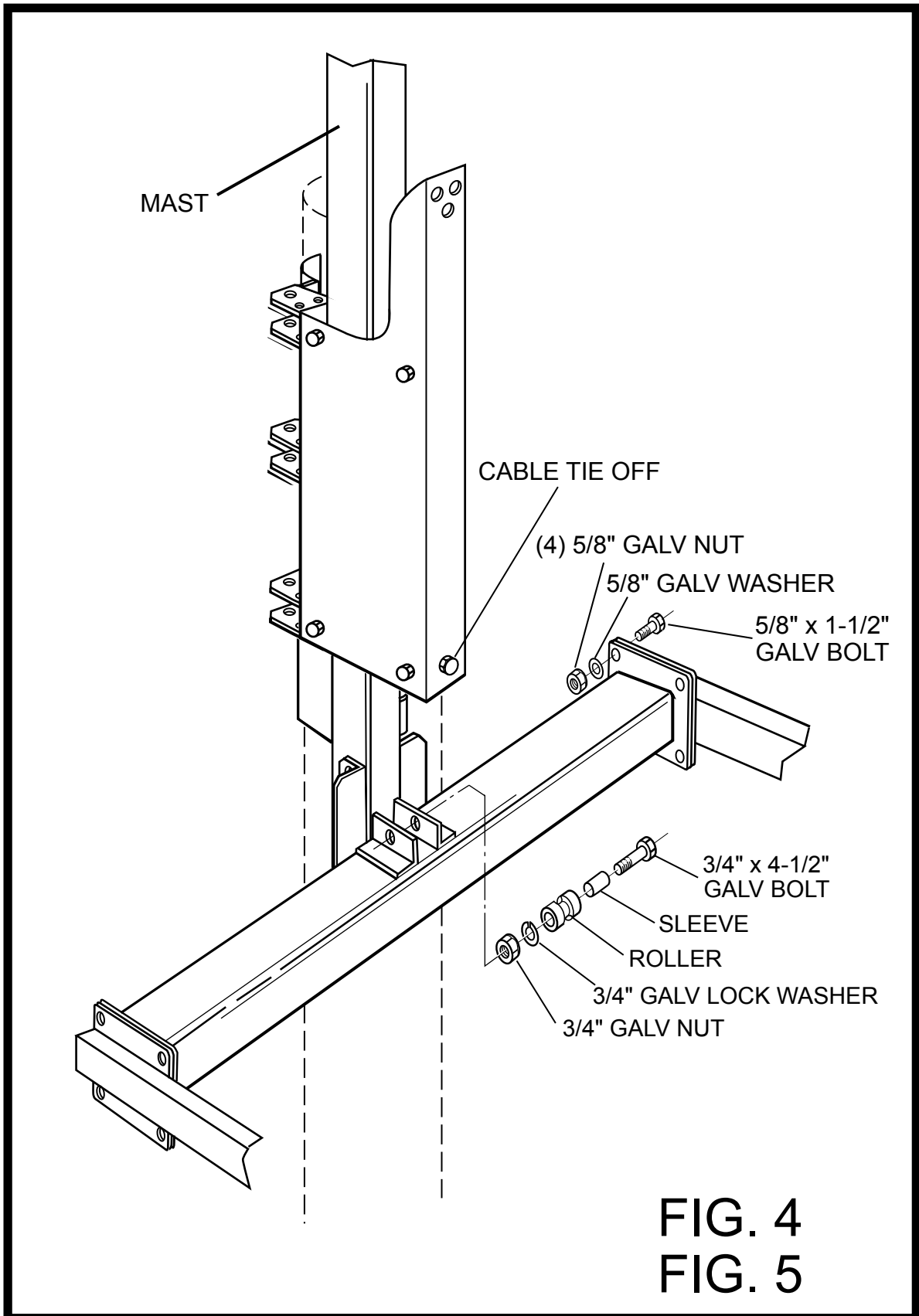


FIG. 3



# Mast Installation



# Hoist & Cable Assembly

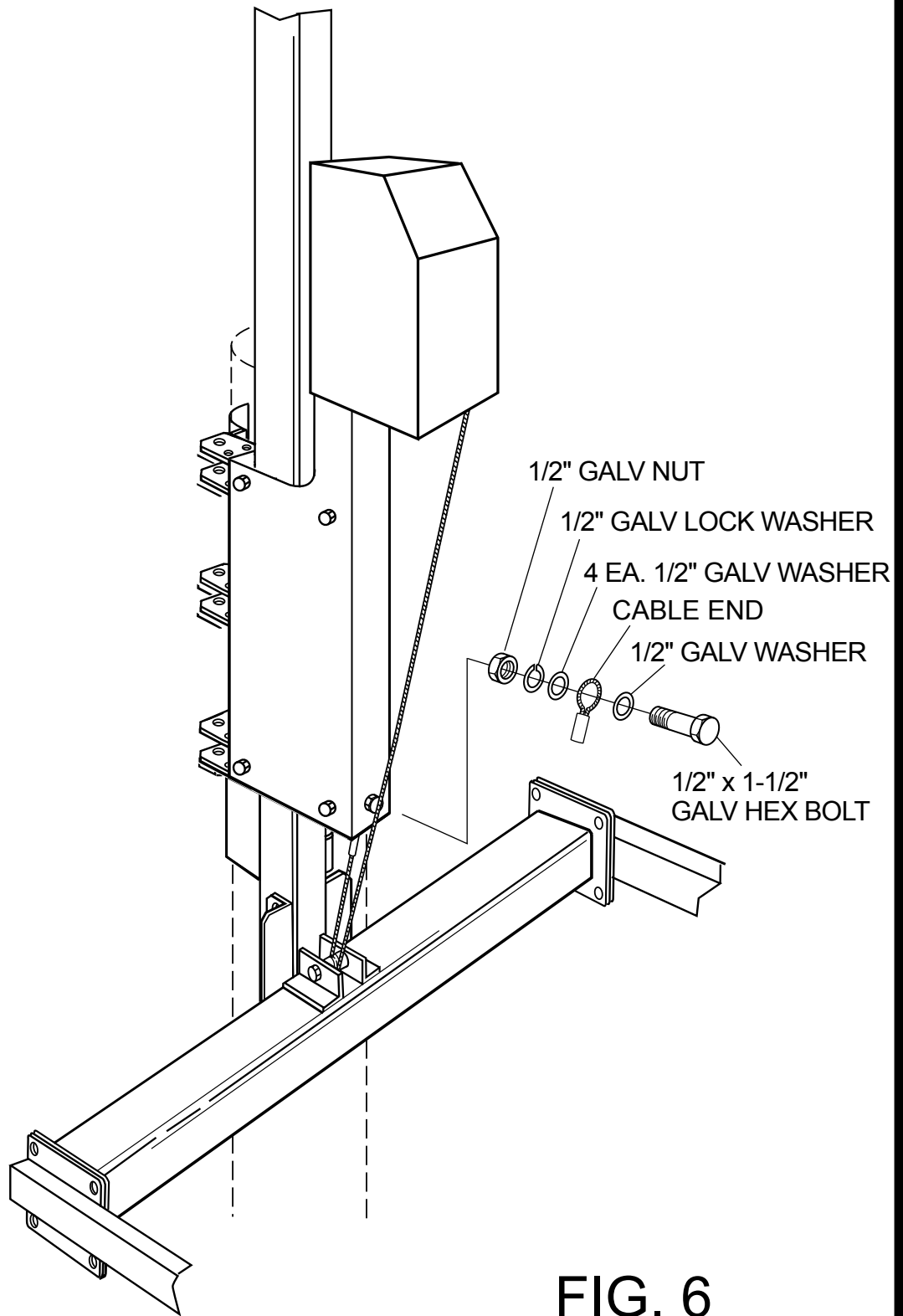


FIG. 6



