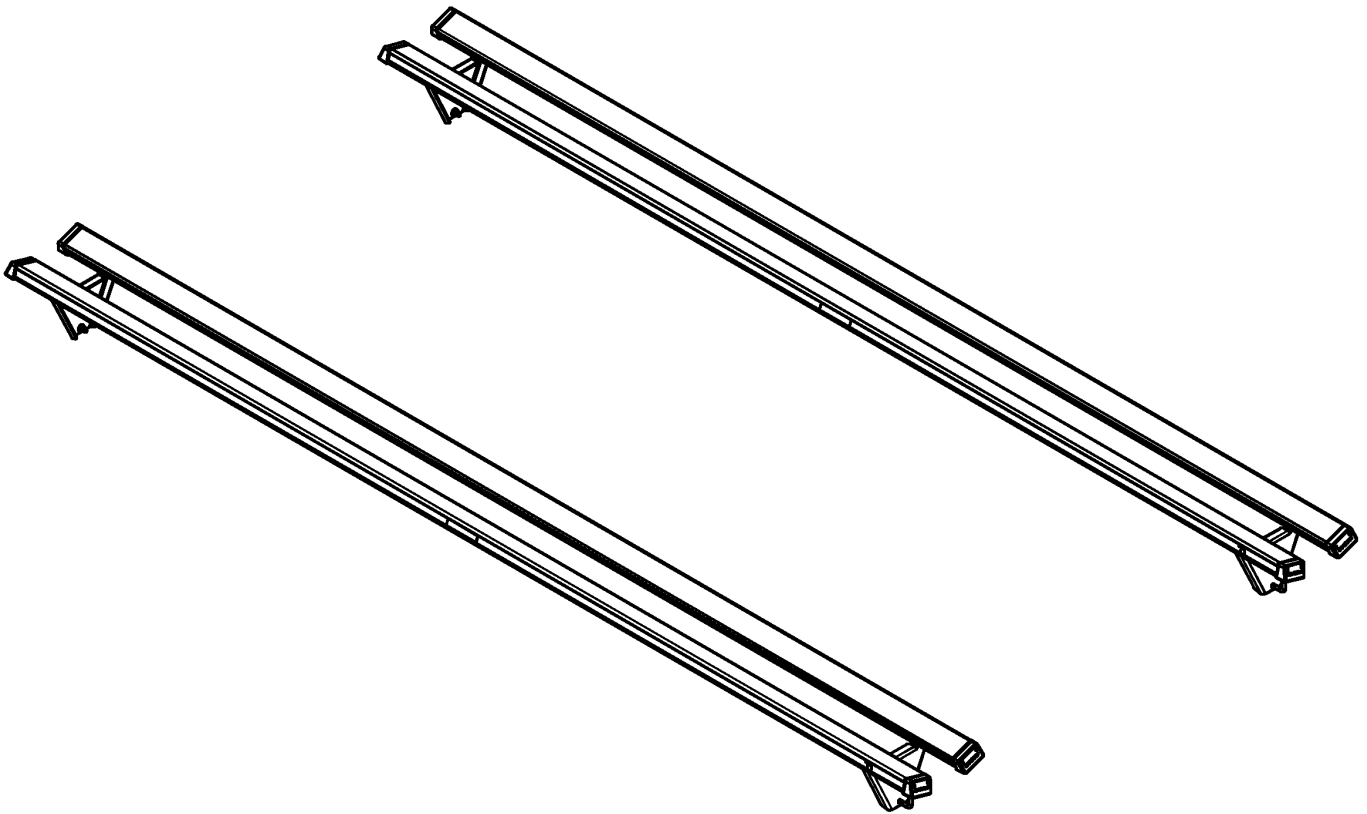


HA0173
15FT DOUBLE ULTRABUNK TRITOON KIT W/ TANDEM BRACKETS
& U-BOLTS FOR ALUMINUM CRADLE MOUNT

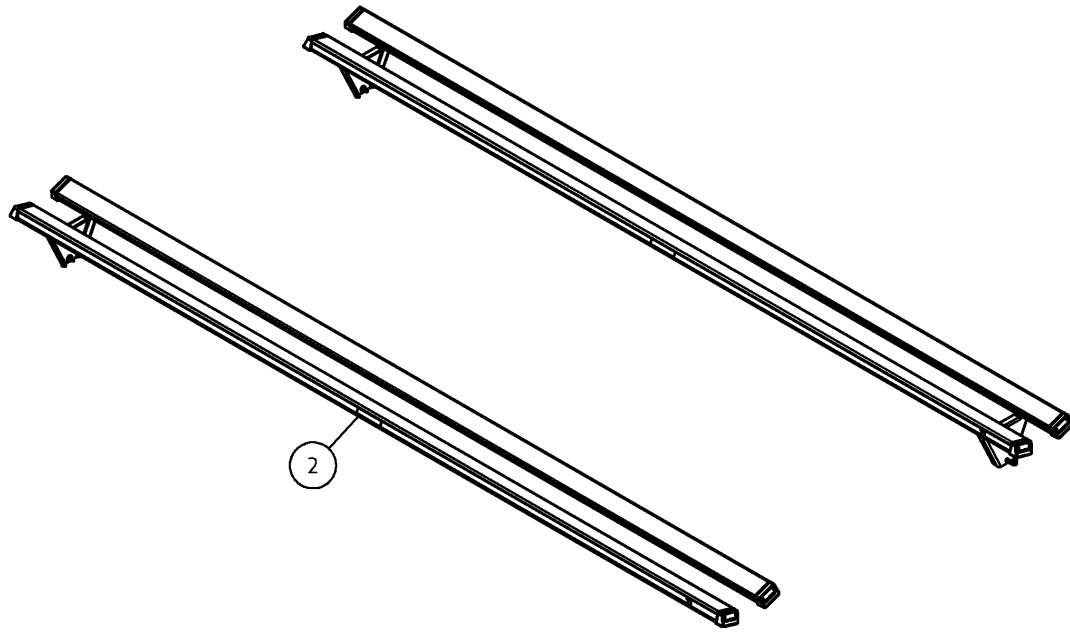


Bundles Required;

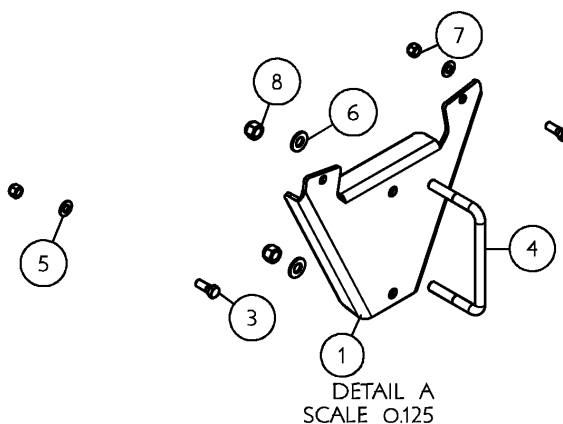
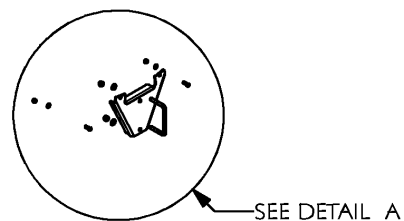
71563	4	Bunk Assy 15ft Poly
71506	1	Bundle Tandem Bunk Brkt/Hdwe

Assembly:

- 1.) Place U-bolt over cradle tube from outside in.
- 2.) Align holes in bracket with Stainless Steel U-bolt and flat side toward cradle tube.
- 3.) Slide on 1/2" Stainless Steel flat washers and secure with 1/2" brass lock nuts with nylon inserts (DO NOT TIGHTEN).



ITEM	PART #	DESCRIPTION	QTY	NOTE
1	71505	BRKT - PONTOON BOAT LIFT BUNK	4	
2	71536	BUNK ASSY 15FT POLY	4	
3	0150040	HH 3/8-16 X 1 CS STAINLESS	8	
4	0350406	SUB 1/2-13 X 6 5/16 X 3 1/4 SS	4	
5	1350095	WASHER USS FLAT 3/8 STAINLESS	8	
6	1350100	WASHER USS FLAT 1/2 STAINLESS	8	
7	1440366	HEX LOCKNUT 3/8 BRASS/NYLON INSERT	8	
8	1440367	HEX LOCKNUT 1/2-13 BRASS/NYLON	8	



- 4.) Attach ultra-bunks with 3/8" X 1" Stainless Steel hex bolts with stops toward the entry end of the boat lift.
- 5.) Secure with 3/8" Stainless Steel flat washers and 3/8" Brass lock nuts with nylon inserts (DO NOT TIGHTEN).
- 6.) Slide and/or adjust Brackets to proper position and tighten all hardware.
- 7.) Check fit for proper adjustment and check hardware periodically.