

### DA0017-15

#### Dock Ladder - Stationary Dock

DA0017-15

Bundles Required

6944915  
6713700

Dock Ladder Bundle - Alum 5 Step  
Mounting Bracket Bundle

### SBA017-15

#### Dock Ladder - ShoreBridge

SBA017-15

Bundles Required

6944915  
7079615

Dock Ladder Bundle - Alum 5 Step  
ShoreBridge Ladder MTG Kit

### DA0041-15

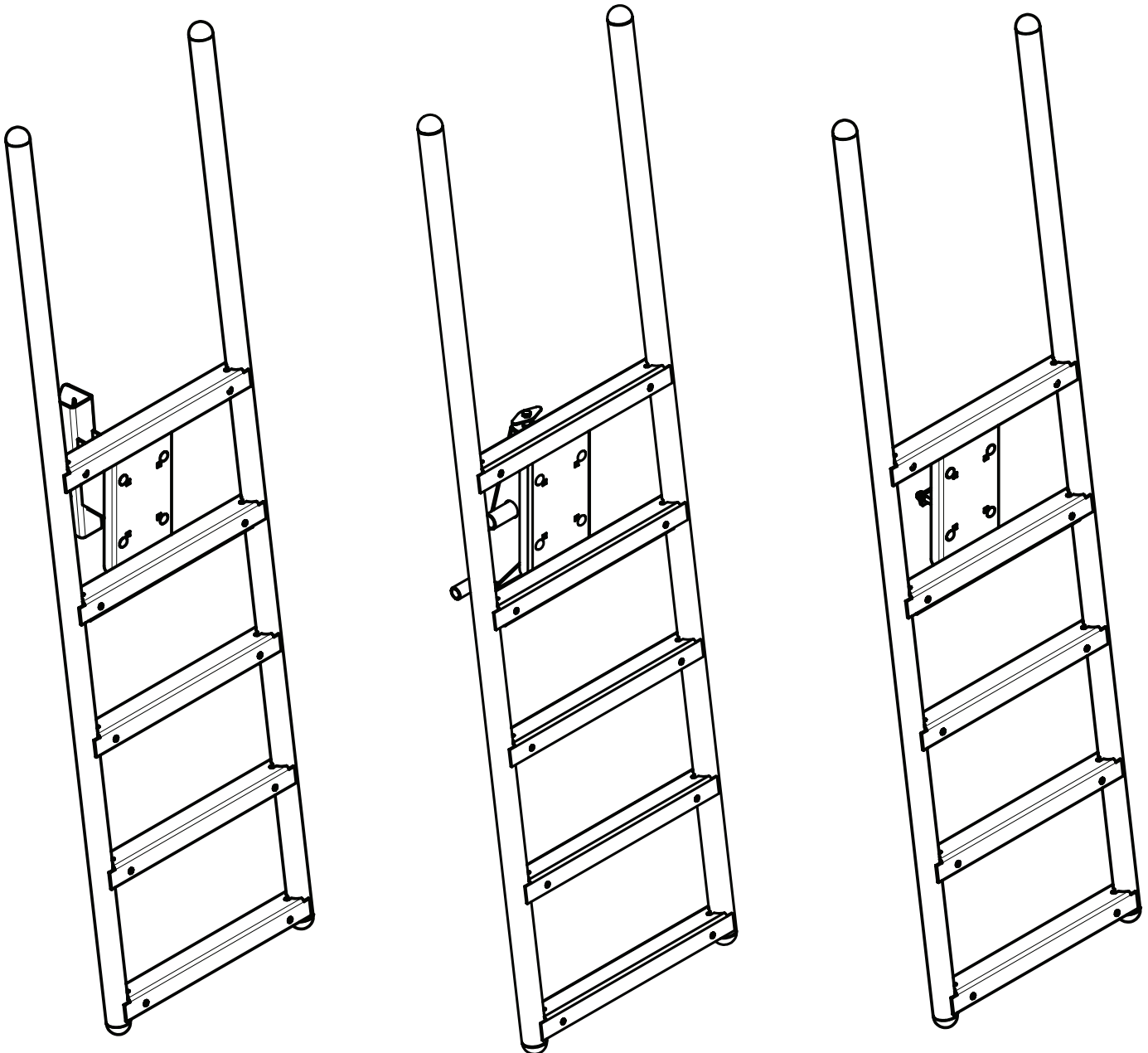
#### Dock Ladder - Floating Dock

DA0041-15

Bundles Required

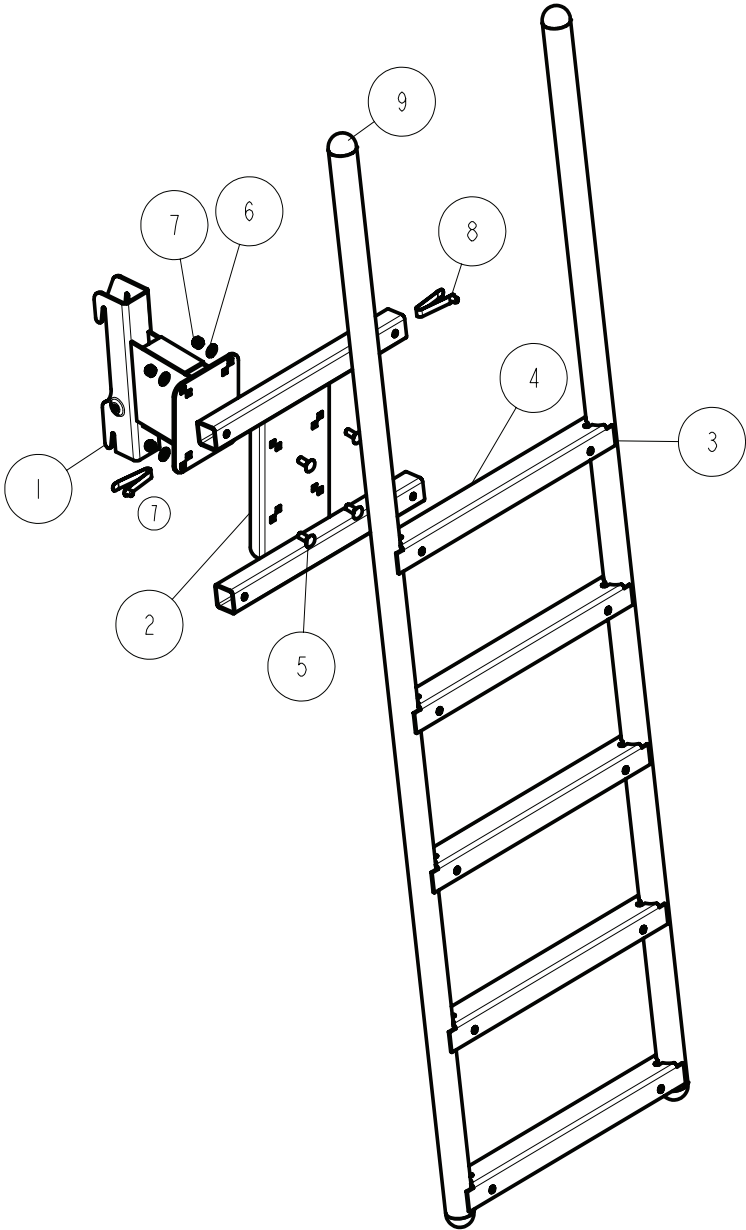
6944915  
6947915

Dock Ladder Bundle - Alum 5 Step  
Floating Dock Connector Weldment

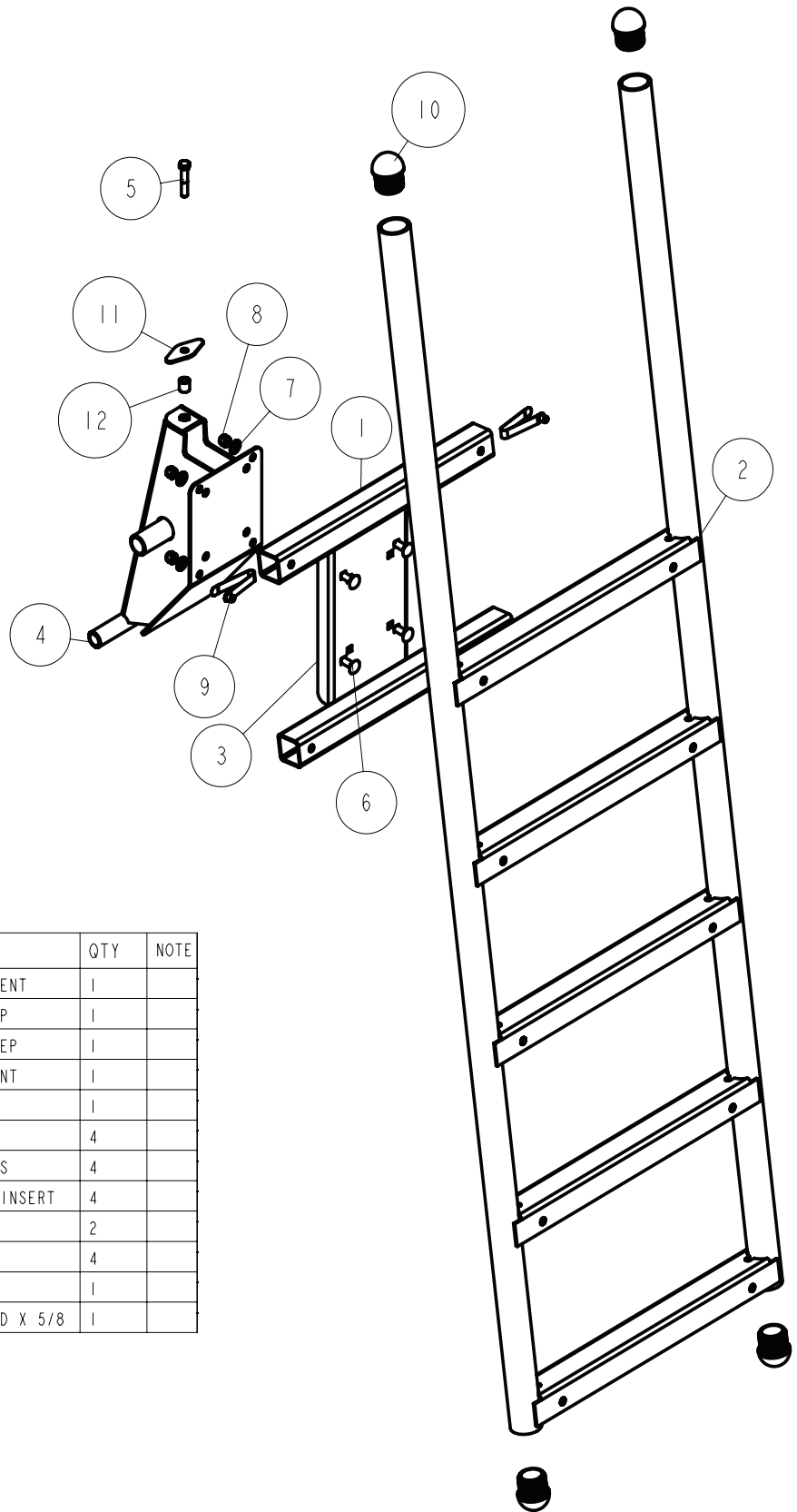


# DA0017-15

ITEM	PART #	DESCRIPTION	QTY	NOTE
1	67137	DOCK ACCY MOUNTING BRKT WMENT	1	
2	69445	DOCK LADDER MOUNTING BRKT WMENT	1	
3	69448	DOCK LADDER WMENT ALUM 5 STEP	1	
4	69449	DOCK LADDER BUNDLE ALUM 5 STEP	1	
5	0250130	CARR 3/8-16 X 1 GR5	4	
6	1350095	WASHER USS FLAT 3/8 STAINLESS	4	
7	1440366	HEX LOCKNUT 3/8 BRASS/NYLON INSERT	4	
8	1540420	SNAP BUTTON	2	
9	3510596	HAND RAIL END CAP Sand Beige	4	



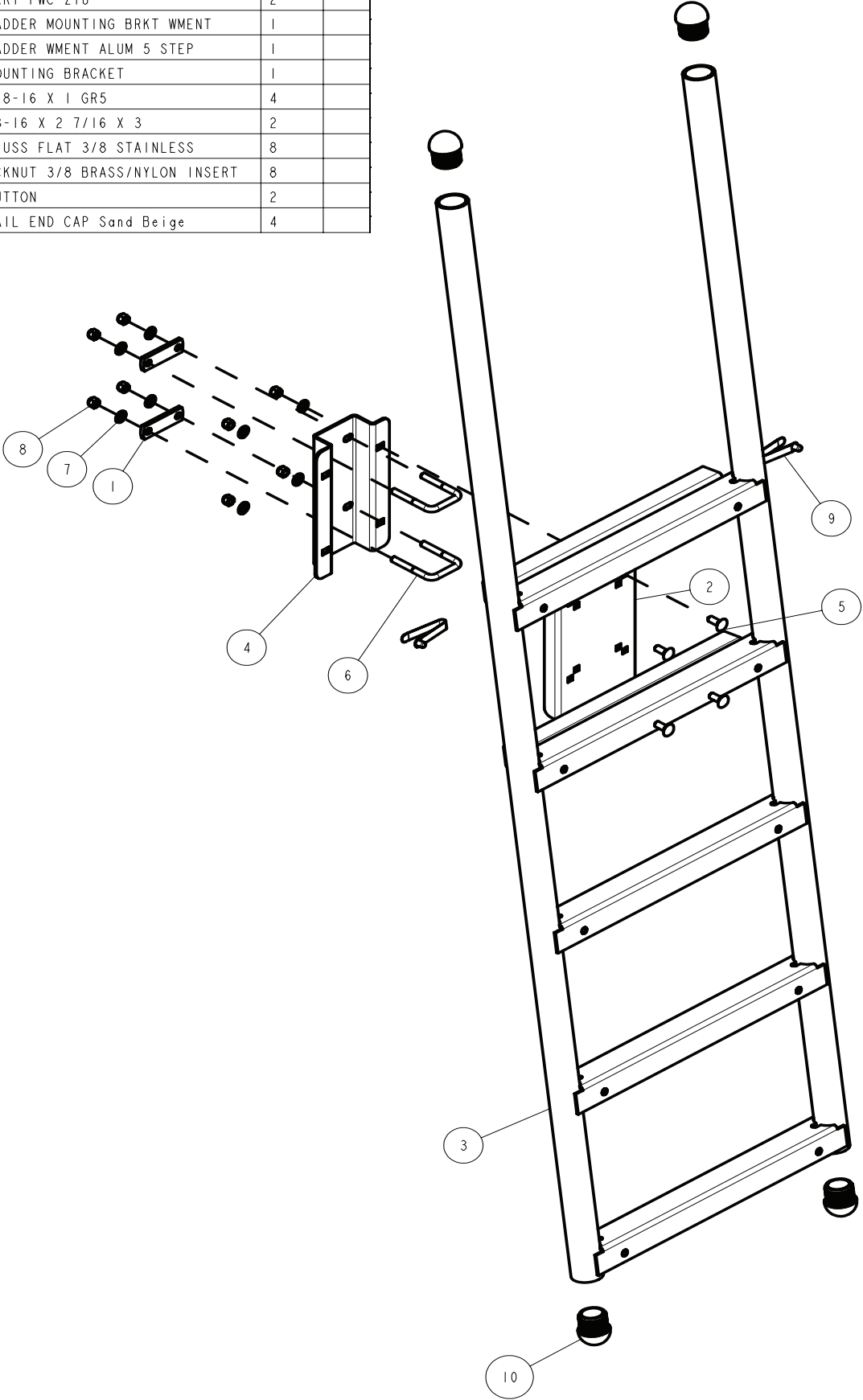
# DA0041-15



ITEM	PART #	DESCRIPTION	QTY	NOTE
1	69445	DOCK LADDER MOUNTING BRKT WMENT	1	
2	69448	DOCK LADDER WMENT ALUM 5 STEP	1	
3	69449	DOCK LADDER BUNDLE ALUM 5 STEP	1	
4	69479	FLOATING DOCK CONNECTOR WMENT	1	
5	0150048	*HH 3/8-16 X 2 CS STAINLESS	1	
6	0250130	CARR 3/8-16 X 1 GR5	4	
7	1350095	WASHER USS FLAT 3/8 STAINLESS	4	
8	1440366	HEX LOCKNUT 3/8 BRASS/NYLON INSERT	4	
9	1540420	SNAP BUTTON	2	
10	3510596	HAND RAIL END CAP Sand Beige	4	
11	3610165	WASHER DIAMOND 1 1/4 X 3 SS	1	
12	3610166	BUSHING ALUM 5/80D X 13/32 ID X 5/8	1	

# SBA017-15

ITEM	PART #	DESCRIPTION	QTY	NOTE
1	62483	BUNK BRKT PWC ZYU	2	
2	69445	DOCK LADDER MOUNTING BRKT WMENT	1	
3	69448	DOCK LADDER WMENT ALUM 5 STEP	1	
4	70786	ACCY MOUNTING BRACKET	1	
5	0250130	CARR 3/8-16 X 1 GR5	4	
6	0310087	SUB 3/8-16 X 2 7/16 X 3	2	
7	1350095	WASHER USS FLAT 3/8 STAINLESS	8	
8	1440366	HEX LOCKNUT 3/8 BRASS/NYLON INSERT	8	
9	1540420	SNAP BUTTON	2	
10	3510596	HAND RAIL END CAP Sand Beige	4	





## Safety Instructions

- **Read and understand the contents of this manual before installing or using the ladder.**
- **This dock ladder is designed for use with ShoreStation dock systems only. Never modify or use the ladder for other purposes.**
- **Never leave children unattended on the on or around the ladder.**
- **One person should use the ladder at a time.**
- **Inspect all components and fasteners regularly for damage, tightness, and deterioration. Replace any damaged component before using the ladder.**
- **Retract the ladder from the water when it is not in use to prevent 'slime' build up.**
- **Check both snap buttons to ensure they are fully engaged before using the ladder.**

### DA0017-15 Stationary Dock Assembly Instructions

- Break the bundles and sort all items by size.
  - Locate the dock accessory mounting bracket used to attach accessories to the dock leg frame.
  - Locate the dock ladder mounting bracket weldment.
  - Orientate the two parts as shown in the drawing. Note that the mounting brackets will position the ladder so it will set at an angle when positioned correctly.
  - Align the holes in the two weldments as shown. Attach the two weldments together by placing four (4) 3/8" x 3/4" carriage bolts in the aligned holes. Note the heads of the bolts must be placed as shown so the square portion of the carriage bolt mates with the square holes punched in the dock ladder mounting bracket.
  - Secure with four (4) 3/8" lock washers and hex nuts. Tighten.
- When the dock accessory mounting bracket is completely on the dock leg, slide it down the leg over the ears. Let them interlock securing the dock accessory mounting bracket to the leg.
  - Note that the rungs of the ladder are spaced so that one rung of the ladder will slide over the top square mounting tube while the rung below will slip over the next square tube. This allows the ladder to be adjusted up or down with respect to the water level.
  - Place the ladder rungs onto the square tubes of the dock ladder mounting bracket. Press the spring loaded retainer pins located in the top square tube so the ladder will slide completely over the tubes. When fully down on the square tubes, the spring pins will snap into the holes provided in the ladder rung locking it in this position.
  - To adjust the height of the ladder or to remove the ladder, simply press the spring loaded pins in and raise up on the ladder. Reposition to new location.

### Installation Instructions

- Each stationary dock leg frame has a set of four ears on which the dock accessory mounting bracket will attach.
- Simply raise the accessory mounting bracket to the top of the dock leg so the dock accessory mounting bracket can then be slipped onto the dock leg above the ears.

- Assembly and installation are complete.

## DA0041-15 Floating Dock Assembly Instructions

- Break the bundles and sort all items by size.
- Locate the floating dock connector weldment and the dock ladder mounting bracket. See parts diagram.
- Align the holes in the two weldments as shown. Attach the two weldments together by placing four (4) 3/8" x 3/4" carriage bolts in the aligned holes. Note the heads of the bolts must be placed as shown so the square portion of the carriage bolt mates with the square holes punched in the dock ladder mounting bracket.
- Secure with four (4) 3/8" lock washers and hex nuts. Tighten.

### Installation Instructions

- Select the position on the floating dock that the ladder will be mounted.
- Remove the 3/8" x 2" hex bolt assembly from the top side of the floating dock connector weldment.
- Insert the floating dock connector weldment into the selected notch molded in the side of the floating dock section. Raise the unit up. Secure in place using the bolt assembly just removed in the previous step. Tighten.
- Note that the rungs of the ladder are spaced so that one rung of the ladder will slide over the top square mounting tube while the rung below will slip over the next square tube. This allows the ladder to be adjusted up or down with respect to the water level.
- Place the ladder rungs onto the square tubes of the dock ladder mounting bracket. Press the spring loaded retainer pins located in the top square tube so the ladder will slide completely over the tubes. When fully down on the square tubes, the spring pins will snap into the holes provided in the ladder rung locking it in this position.
- To adjust the height of the ladder or to remove the ladder, simply press the spring loaded pins in and raise up on the ladder. Reposition to new location.
- Assembly and installation are complete.

## SBA017-15 ShoreBridge Assembly Instructions

- Break the bundles and sort all items by size.
- Locate the ShoreBridge mounting bracket used to attach the dock ladder mounting bracket to the dock frame.
- Mount bracket to the long uprights in the side, **this will not mount to the center upright**, using 3/8 X 2 & 7/16 X 3 square u-bolts and securing with stainless steel flat washers and brass lock nuts with nylon inserts.
- Locate the dock ladder mounting bracket weldment.
- Orientate the two parts as shown in the drawing. Note that the mounting brackets will position the ladder so it will set at an angle when positioned correctly.
- Align the holes in the two weldments as shown. Attach the two weldments together by placing four (4) 3/8" x 3/4" carriage bolts in the aligned holes. Note the heads of the bolts must be placed as shown so the square portion of the carriage bolt mates with the square holes punched in the dock ladder mounting bracket.
- Secure with four (4) 3/8" lock washers and hex nuts. Tighten.

### Installation Instructions

- Note that the rungs of the ladder are spaced so that one rung of the ladder will slide over the top square mounting tube while the rung below will slip over the next square tube. This allows the ladder to be adjusted up or down with respect to the water level.
- Place the ladder rungs onto the square tubes of the dock ladder mounting bracket. Press the spring loaded retainer pins located in the top square tube so the ladder will slide completely over the tubes. When fully down on the square tubes, the spring pins will snap into the holes provided in the ladder rung locking it in this position.
- To adjust the height of the ladder or to remove the ladder, simply press the spring loaded pins in and raise up on the ladder. Reposition to new location.
- Assembly and installation are complete.