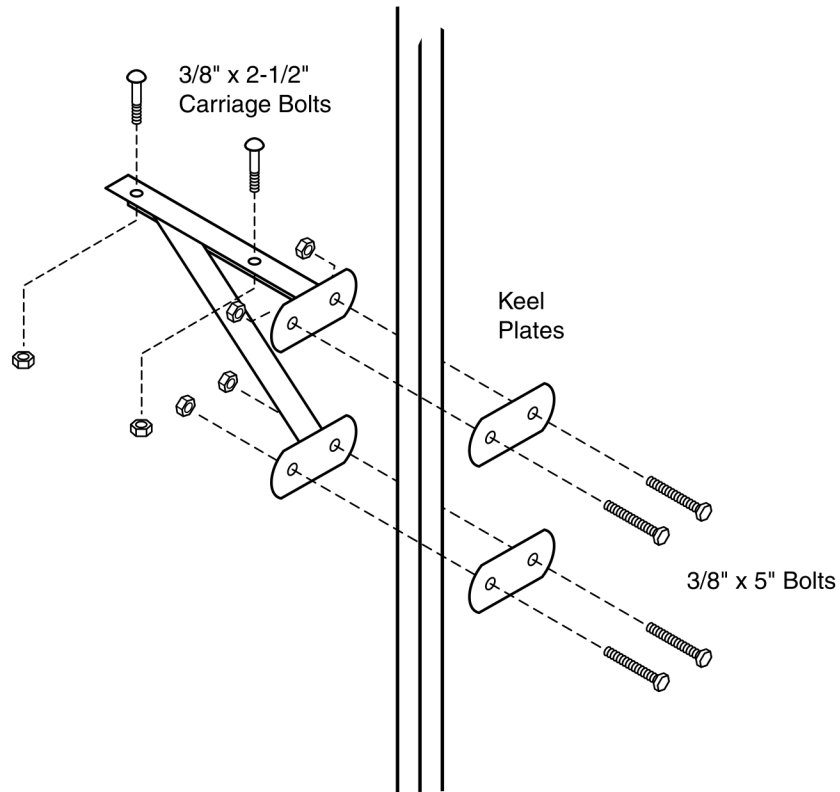




CAT WALK

For Cantilever Lifts



KIT INCLUDES:

- 2 - WALK MOUNTING BRACKETS – LCWB1
- 4 - 3/8" x 2" KEEL PLATES – MEDIUM – LCRKPM
- 8 - 3/8" x 5" FULL-THREADED BOLTS – NB385FT
- 4 - 3/8" x 2-1/2" CARRIAGE BOLTS – NB38212C
- 12 - 3/8" NUTS – NN38S

"Quality Since 1971"

HEWITT MACHINE & MFG, INC. Box 111 Nicollet, MN 56074